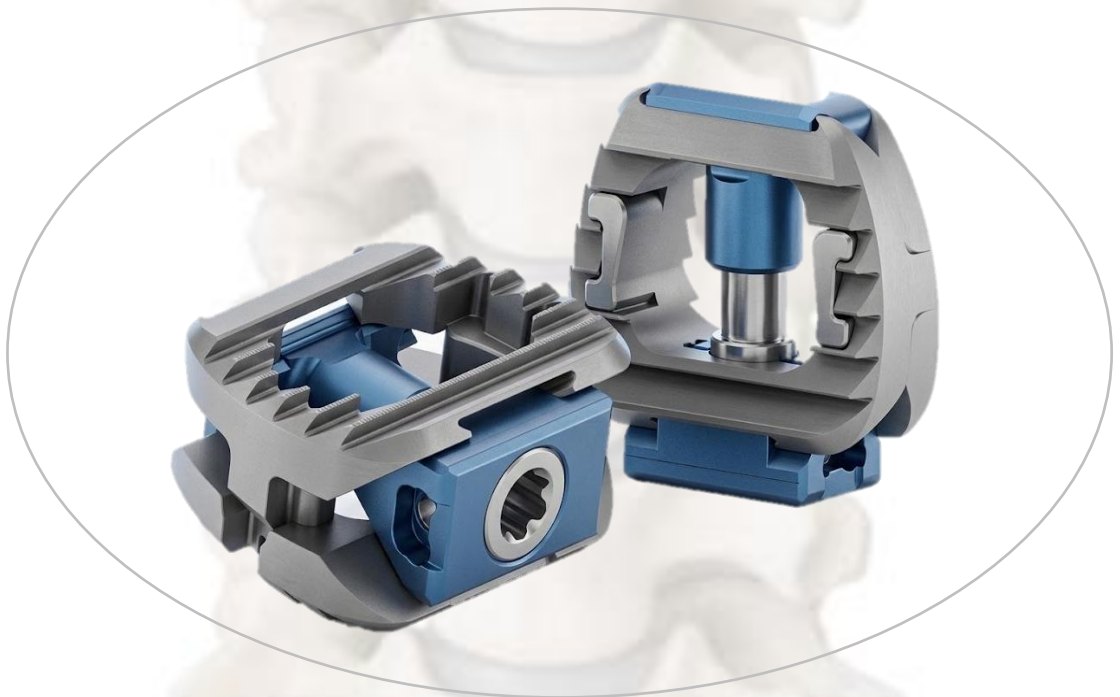


BluEX-C

CastleLoc Cervical Expandable Cage System
Anterior Cervical Interbody Fusion Cage System



LEARNING & KNOWLEDGE BIOMED

L&K BIOMED



Information

Indication

Intended for anterior cervical interbody fusion in skeletally mature patients with cervical disc degeneration and/or instability from C2 to T1.

Description

An expandable cervical intervertebral body fusion device

Raw Materials

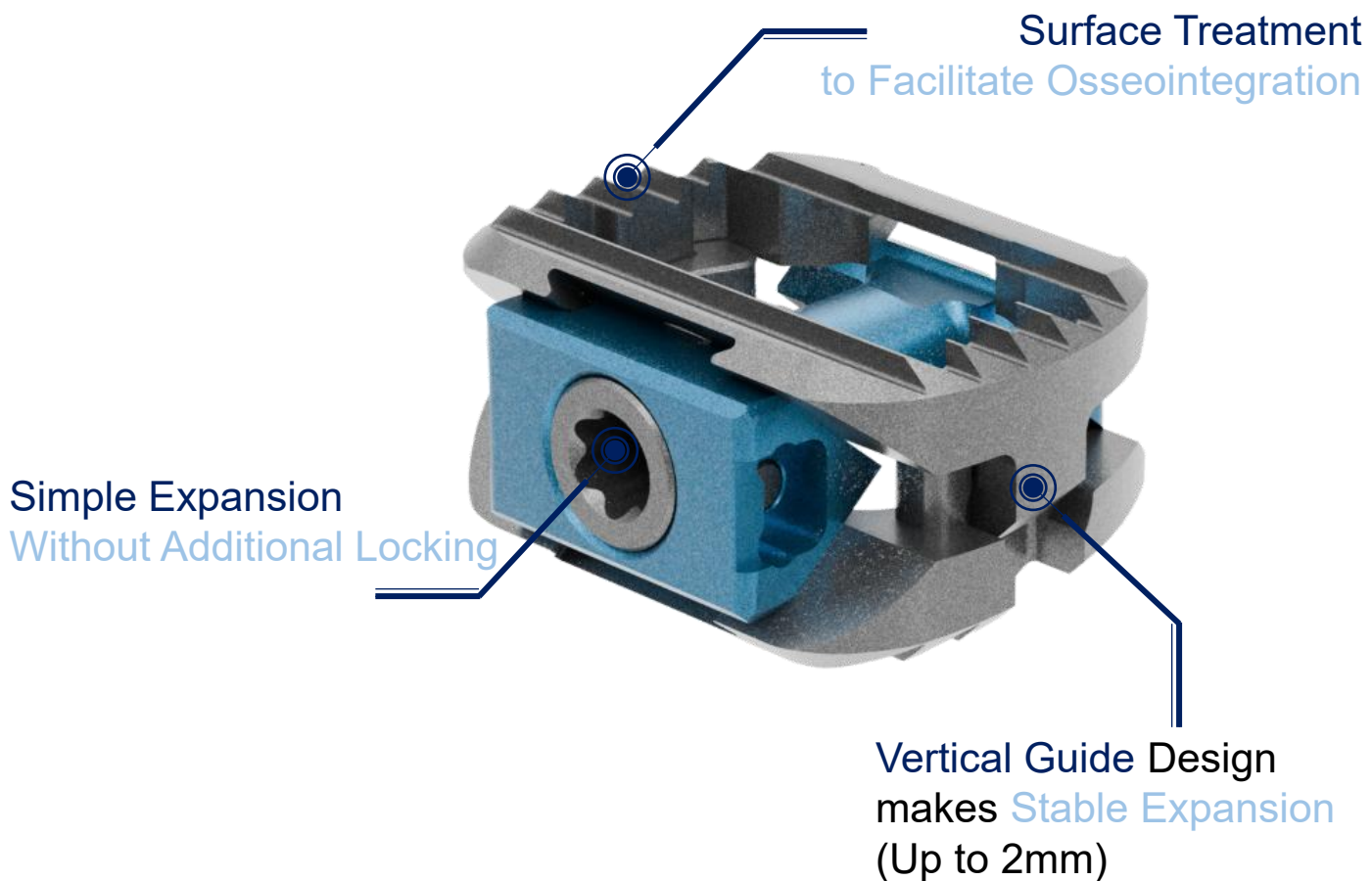
Titanium 6Al-4V Alloy (ASTM F136)



BluEX-C is provided in sterile package to help reduce surgical site infection risk and hospital pre-operative procedure.

Features and Benefits



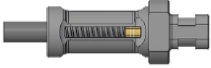

Core of L&K expandable technology is in its **Mechanical Structure**. The Structure of L&K Expandable Cage family is designed for safe and long-lasting **Load Distribution**.

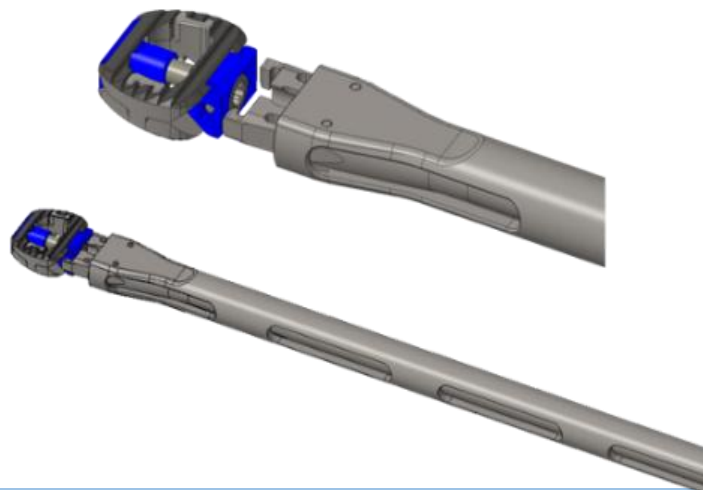


BluEX-C is a **low-profile** expandable cervical cage that enables controlled in-situ expansion. Its patented **vertical guide** and **serrated teeth** support stable expansion, migration resistance, and height maintenance without additional locking.

Features and Benefits

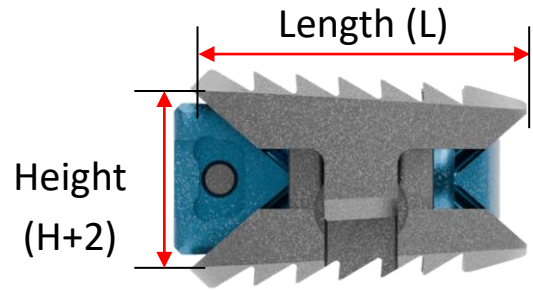
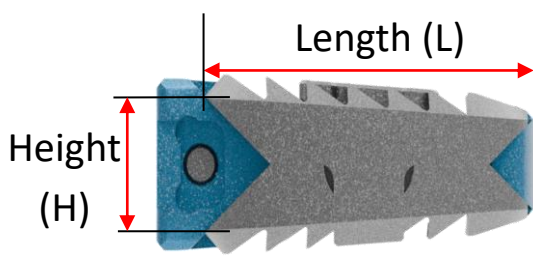
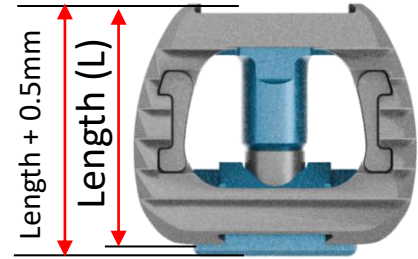
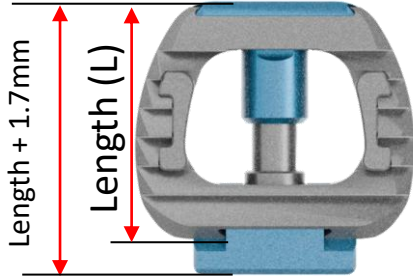
BluEX-C Instrument.

Cat. No.	Name
	CC10-0001 BluEX-C Expandable Cage Inserter
	CC10-0002 BluEX-C Height Adjustable Driver
	CC10-0004 BluEX-C Indicator Module
	CC10-0008 Torque Limiting I-Handle 1.1Nm





Specifications



Non-expanded

Full-expanded (2mm expanded)

Color	Height*	Length	Width	Lordosis θ
Blue	4mm-6mm	14mm, 17mm	12mm, 14mm	0°, 7°
Purple	6mm-8mm	14mm, 17mm	12mm, 14mm	0°, 7°
Gold	8mm-10mm	14mm, 17mm	12mm, 14mm	0°, 7°
Gold	10mm-12mm	14mm, 17mm	12mm, 14mm	0°, 7°
Gold	13mm-15mm	14mm, 17mm	12mm, 14mm	0°, 7°

*Height is measured below the teeth.

Order Information

Cat. No.	Height	Color	Length	Width	Lordosis
1214-0407S	4~6mm	Blue	14mm	12mm	7°
1214-0607S	6~8mm	Purple	14mm	12mm	7°
1214-0807S	8~10mm	Gold	14mm	12mm	7°
1214-1007S*	10~12mm	Green	14mm	12mm	7°
1214-1307S*	13~15mm	Green	14mm	12mm	7°
1417-0407S	4~6mm	Blue	17mm	14mm	7°
1417-0607S	6~8mm	Purple	17mm	14mm	7°
1417-0807S	8~10mm	Gold	17mm	14mm	7°
1417-1007S*	10~12mm	Green	17mm	14mm	7°
1417-1307S*	13~15mm	Green	17mm	14mm	7°
1214-0400S*	4~6mm	Blue	14mm	12mm	0°
1214-0600S*	6~8mm	Purple	14mm	12mm	0°
1214-0800S*	8~10mm	Gold	14mm	12mm	0°
1214-1000S*	10~12mm	Green	14mm	12mm	0°
1214-1300S*	13~15mm	Green	14mm	12mm	0°
1417-0400S*	4~6mm	Blue	17mm	14mm	0°
1417-0600S*	6~8mm	Purple	17mm	14mm	0°
1417-0800S*	8~10mm	Gold	17mm	14mm	0°
1417-1000S*	10~12mm	Green	17mm	14mm	0°
1417-1300S*	13~15mm	Green	17mm	14mm	0°

* is optional

BluEX-C

World Wide **Data Collection** is going on

Please contact L&K Biomed at mkt@lnkbiomed.com in case you are interested in world wide data collection.

