

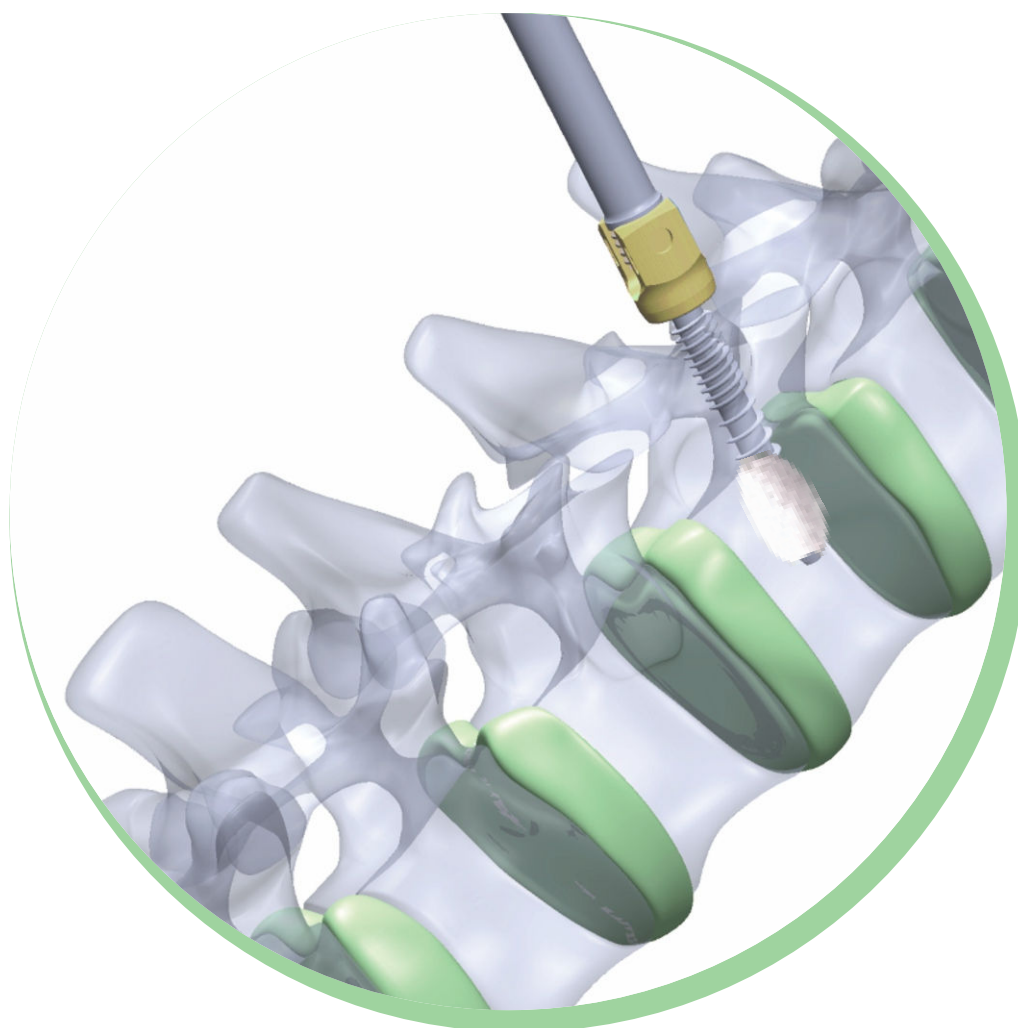
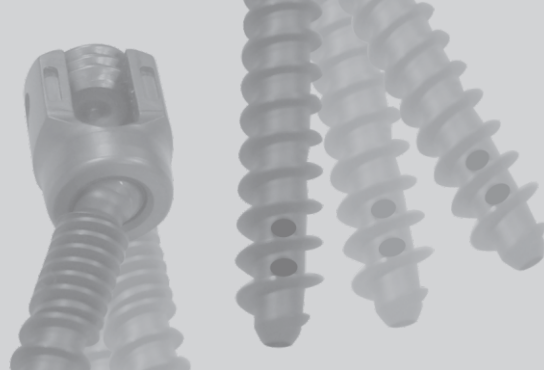
OSTEOBONE

Dual Thread Screw

Colour Parameters as per Ø



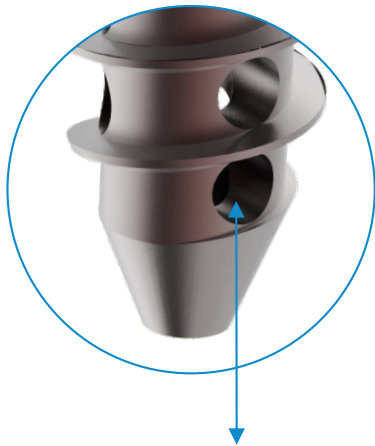
Pink	Green	Golden	Brown
Ø 4.5	Ø 5.5	Ø 6.5	Ø 7.0



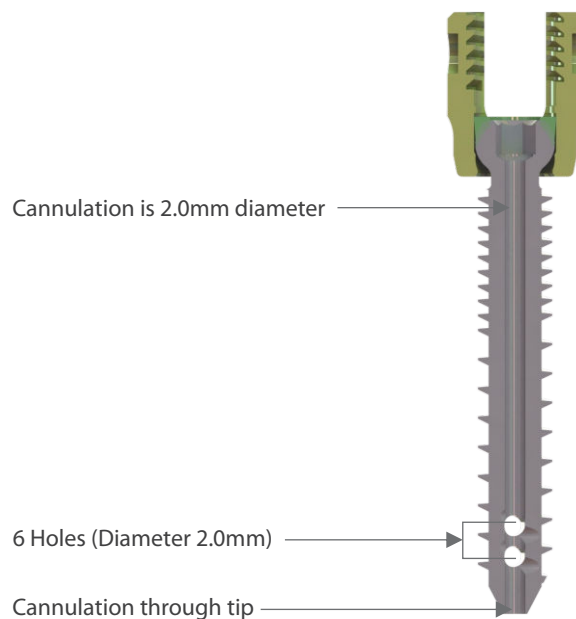
OSTEOBONE Multiaxial Pedicle Fenestrated Dual Thread Screw

Osteobone Multiaxial Pedicle Fenestrated Dual Thread Screw

These screws are used to correct deformity, and/or treat trauma. The screws may also be used to immobilize part of the spine (T1-L5) to assist fusion by holding bony structures together.



These fenestrations near the distal tip of the screw provides a controlled means to deliver a small amount of polymethylmethacrylate (PMMA) bone cement into a targeted vertebral body.



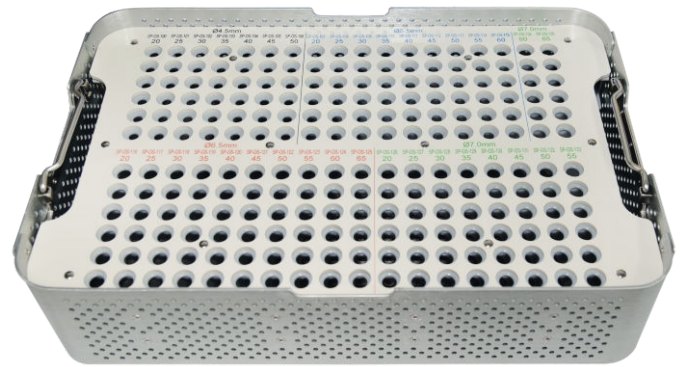
Osteobone Multiaxial Pedicle Fenestrated Dual Thread Screw

Code	Dia X Length
SP-OS-100	Ø4.5mm X 20mm
SP-OS-101	Ø4.5mm X 25mm
SP-OS-102	Ø4.5mm X 30mm
SP-OS-103	Ø4.5mm X 35mm
SP-OS-104	Ø4.5mm X 40mm
SP-OS-105	Ø4.5mm X 45mm
SP-OS-106	Ø4.5mm X 50mm
SP-OS-107	Ø5.5mm X 20mm
SP-OS-108	Ø5.5mm X 25mm
SP-OS-109	Ø5.5mm X 30mm
SP-OS-110	Ø5.5mm X 35mm
SP-OS-111	Ø5.5mm X 40mm
SP-OS-112	Ø5.5mm X 45mm
SP-OS-113	Ø5.5mm X 50mm
SP-OS-114	Ø5.5mm X 55mm
SP-OS-115	Ø5.5mm X 60mm
SP-OS-116	Ø6.5mm X 20mm
SP-OS-117	Ø6.5mm X 25mm
SP-OS-118	Ø6.5mm X 30mm
SP-OS-119	Ø6.5mm X 35mm
SP-OS-120	Ø6.5mm X 40mm
SP-OS-121	Ø6.5mm X 45mm
SP-OS-122	Ø6.5mm X 50mm
SP-OS-123	Ø6.5mm X 55mm
SP-OS-124	Ø6.5mm X 60mm
SP-OS-125	Ø6.5mm X 65mm
SP-OS-126	Ø7.0mm X 20mm
SP-OS-127	Ø7.0mm X 25mm
SP-OS-128	Ø7.0mm X 30mm
SP-OS-129	Ø7.0mm X 35mm
SP-OS-130	Ø7.0mm X 40mm
SP-OS-131	Ø7.0mm X 45mm
SP-OS-132	Ø7.0mm X 50mm
SP-OS-133	Ø7.0mm X 55mm
SP-OS-134	Ø7.0mm X 60mm
SP-OS-135	Ø7.0mm X 65mm



7-015-01 Screw Tray for Osteobone Multiaxial Pedicle Fenestrated Dual Thread System

Code	Dia X Length	Unit
SP-OS-100	Ø4.5mm X 20mm	6
SP-OS-101	Ø4.5mm X 25mm	6
SP-OS-102	Ø4.5mm X 30mm	6
SP-OS-103	Ø4.5mm X 35mm	6
SP-OS-104	Ø4.5mm X 40mm	6
SP-OS-105	Ø4.5mm X 45mm	6
SP-OS-106	Ø4.5mm X 50mm	6
SP-OS-107	Ø5.5mm X 20mm	6
SP-OS-108	Ø5.5mm X 25mm	6
SP-OS-109	Ø5.5mm X 30mm	6
SP-OS-110	Ø5.5mm X 35mm	6
SP-OS-111	Ø5.5mm X 40mm	6
SP-OS-112	Ø5.5mm X 45mm	6
SP-OS-113	Ø5.5mm X 50mm	6
SP-OS-114	Ø5.5mm X 55mm	6
SP-OS-115	Ø5.5mm X 60mm	6
SP-OS-116	Ø6.5mm X 20mm	6
SP-OS-117	Ø6.5mm X 25mm	6
SP-OS-118	Ø6.5mm X 30mm	6
SP-OS-119	Ø6.5mm X 35mm	6
SP-OS-120	Ø6.5mm X 40mm	6
SP-OS-121	Ø6.5mm X 45mm	6
SP-OS-122	Ø6.5mm X 50mm	6
SP-OS-123	Ø6.5mm X 55mm	6
SP-OS-124	Ø6.5mm X 60mm	6
SP-OS-125	Ø6.5mm X 65mm	6
SP-OS-126	Ø7.0mm X 20mm	6
SP-OS-127	Ø7.0mm X 25mm	6
SP-OS-128	Ø7.0mm X 30mm	6
SP-OS-129	Ø7.0mm X 35mm	6
SP-OS-130	Ø7.0mm X 40mm	6
SP-OS-131	Ø7.0mm X 45mm	6
SP-OS-132	Ø7.0mm X 50mm	6
SP-OS-133	Ø7.0mm X 55mm	6
SP-OS-134	Ø7.0mm X 60mm	6
SP-OS-135	Ø7.0mm X 65mm	6



7-015-04 Cement Insertion Attachment



SP-OS-146 Cleaning Pin (Optional)



SP-OS-147 OSTEOBONE Multiaxial Pedicle Screwdriver



7-015-02 Quick Coupling Handle



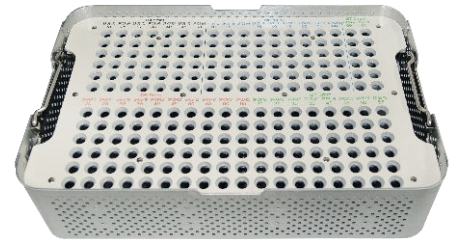
SP-OSI-01 Bone Filler Device Outer Sheath - Sterile (Optional)



SP-OSI-02 Bone Filler Device Plunger - Sterile (Optional)



7-015-01 Screw Tray for Osteobone Multiaxial Dual Thread System



7-015-03 Container with PPSU Lid for Osteobone Multiaxial Dual Thread Instrument Set



7-015 Osteobone Multiaxial Instrument Set

Code	Set Consisting of	Units
7-015-04	Cement Insertion Attachment	8
SP-OS-146	Cleaning Pin (Optional)	1
SP-OS-147	OSTEOBONE Multiaxial Pedicle Screwdriver	8
7-015-02	Quick Coupling Handle	2
SP-OSI-01	Bone Filler Device Outer Sheath - Sterile (Optional)	8
SP-OSI-02	Bone Filler Device Plunger - Sterile (Optional)	8
7-015-01	Screw Tray for Osteobone Multiaxial Dual Thread System	1
7-015-03	Container with PPSU Lid for Osteobone Multiaxial Dual Thread Instrument Set	1