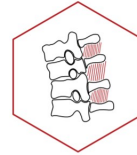
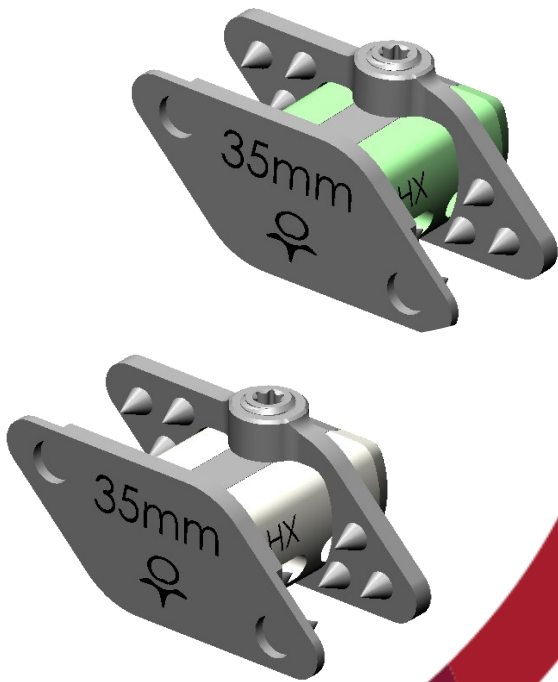


# STRATOS INTERSPINOUS FIXATOR SPINAL FIXATION SYSTEM



**Perfect for  
provide  
posterior  
supportive  
stabilization**

## **STRATOS Interspinous Fixator Spinal Fixation System HIGHLIGHTS**

- ♀ Interspinous fixation devices are being developed to aid in the stabilization of the spine
- ♀ The device may consist of titanium alloy, or both titanium alloy and polyetheretherketone (PEEK)
- ♀ Implants are available in a range of sizes to suit the individual pathology and anatomical conditions of the patient
- ♀ Simple and easy usage
- ♀ Good adhesion
- ♀ Wide range of implant choices



# STRATOS INTERSPINOUS FIXATOR SPINAL FIXATION SYSTEM



## PURPOSE OF USAGE

The Stratos Interspinous Fixator Spinal Fixation System are implants that provide posterior supportive stabilization, designed to be used at a single level in the non-cervical spine (including T1-S1 spine levels). In order to obtain additional fusion; Plaque fixation to the spinous processes is aimed in conditions such as degenerative disc disease, spondylolisthesis, trauma and / or tumor.

## INDICATIONS

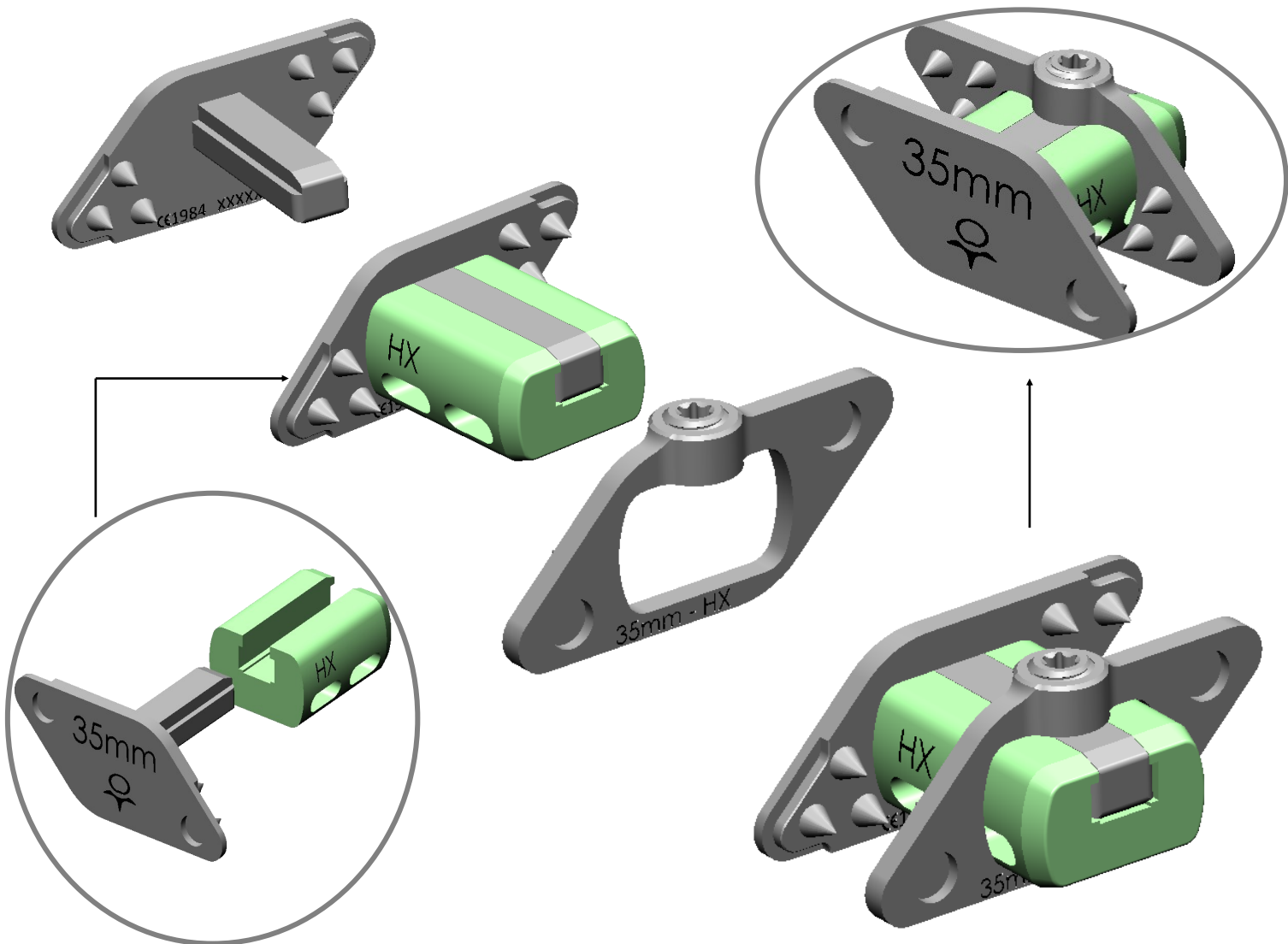
- ♀ Degenerative disc disease
- ♀ Spondylolisthesis
- ♀ Trauma (fracture or dislocation)
- ♀ Tumor



# STRATOS INTERSPINOUS FIXATOR SPINAL FIXATION SYSTEM



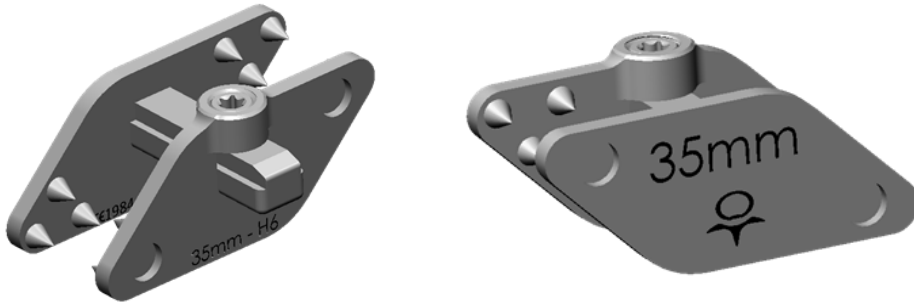
## IMPLANT ASSEMBLY



# STRATOS INTERSPINOUS FIXATOR SPINAL FIXATION SYSTEM



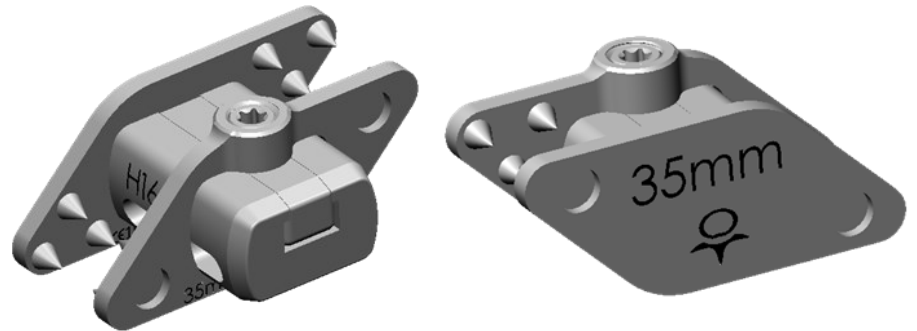
## STRATOS TITANIUM IMPLANT



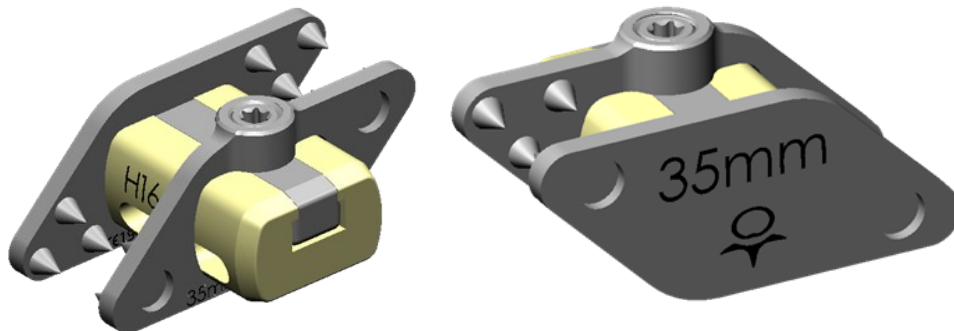
Size	Reference Number
35mm - H6	32-0135-06-1

## STRATOS TITANIUM IMPLANT

Size	Reference Number
35mm - H8	32-0235-08-1
35mm - H10	32-0235-10-1
35mm - H12	32-0235-12-1
35mm - H14	32-0235-14-1
35mm - H16	32-0235-16-1

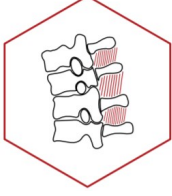


## STRATOS PEEK IMPLANT



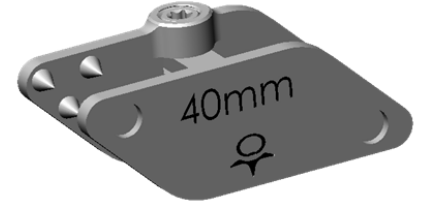
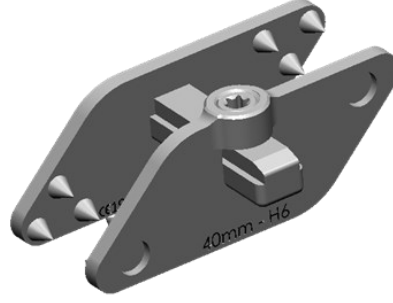
Size	Reference Number
35mm - H8	32-0335-08-1
35mm - H10	32-0335-10-1
35mm - H12	32-0335-12-1
35mm - H14	32-0335-14-1
35mm - H16	32-0335-16-1

# STRATOS INTERSPINOUS FIXATOR SPINAL FIXATION SYSTEM

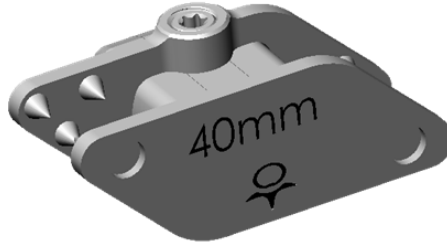
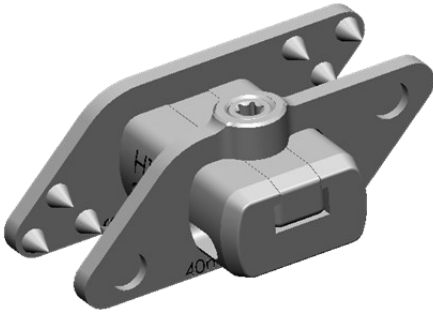


## STRATOS TITANIUM IMPLANT

Size	Reference Number
40mm - H6	32-0140-06-1



## STRATOS TITANIUM IMPLANT



Size	Reference Number
40mm - H8	32-0240-08-1
40mm - H10	32-0240-10-1
40mm - H12	32-0240-12-1
40mm - H14	32-0240-14-1
40mm - H16	32-0240-16-1
40mm - H18	32-0240-18-1

## STRATOS PEEK IMPLANT

Size	Reference Number
40mm - H8	32-0340-08-1
40mm - H10	32-0340-10-1
40mm - H12	32-0340-12-1
40mm - H14	32-0340-14-1
40mm - H16	32-0340-16-1
40mm - H18	32-0340-18-1

