



TRIDENT

by PANTHEON SURGICAL

ANCHORED CERVICAL INTERBODY FUSION DEVICE

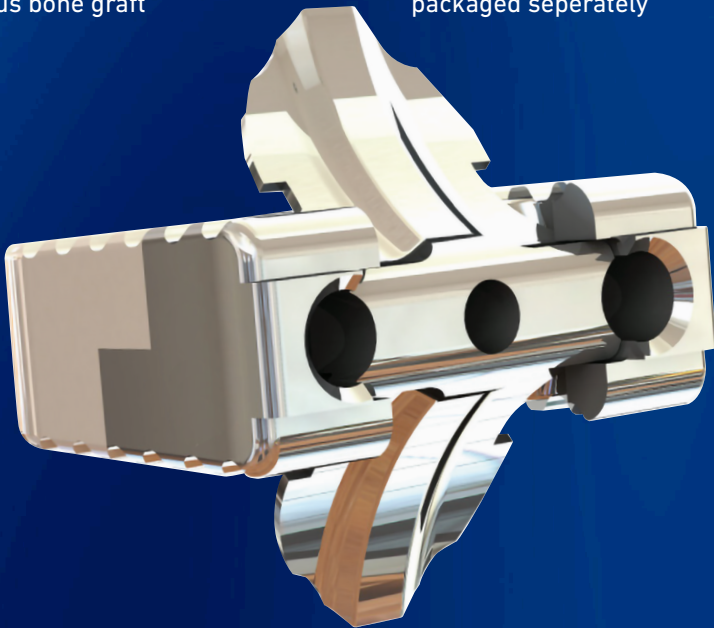
The Trident Anchored Cervical Interbody Fusion Device (ACI) is a cervical implant with an integrated anchor. The device is to be used with supplemental fixation, i.e. an anterior cervical plate. The implant is titanium with a PEEK radiolucent spacer and has an anchor component.

FEATURES

- Single step implantation
- Anchor is retractable for easy implant removal
- Zero profile construct
- PEEK spacer provides modulus of elasticity similar to bone
- Provides adequate space for autogenous bone graft

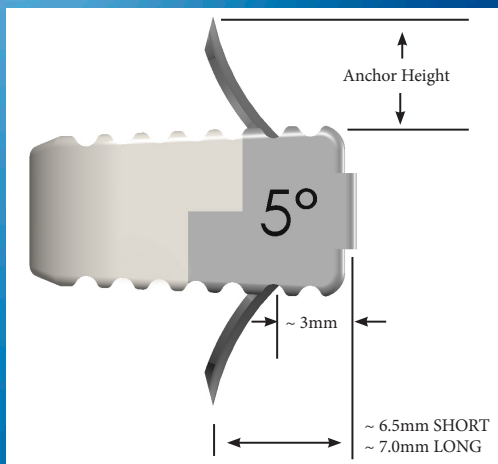
IMPLANT GEOMETRY

- Implant made of Titanium with PEEK radiolucent spacer
- Tantalum radiopaque markers per ASTM F560
- Anchor is made of Titanium
- Implant is offered in a 5° lordotic profile
- Implant and Anchor are sterile packaged separately



40132 Industrial Park Circle Suite 101 | Georgetown, TX 78626
512.308.3488 | pantheonsurgical.com

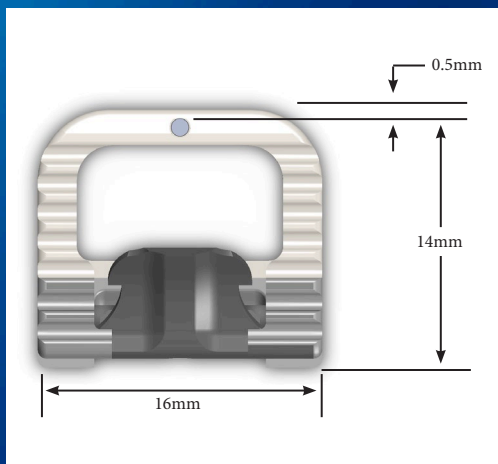
TECHNICAL SPECIFICATIONS



IMPLANT

(16mm x 14mm, 5° lordosis)

IMPLANT HEIGHT	GRAFT VOLUME
5mm	.40cc
6mm	.48cc
7mm	.55cc
8mm	.62cc
9mm	.70cc
10mm	.77cc



ANCHOR

IMPLANT HEIGHT	ANCHOR SIZE	PURCHASE DEPTH
5mm	short	5.5mm
6mm	short	5.0mm
7mm	short	4.5mm
8mm	long	5.5mm
9mm	long	5.0mm
10mm	long	4.5mm