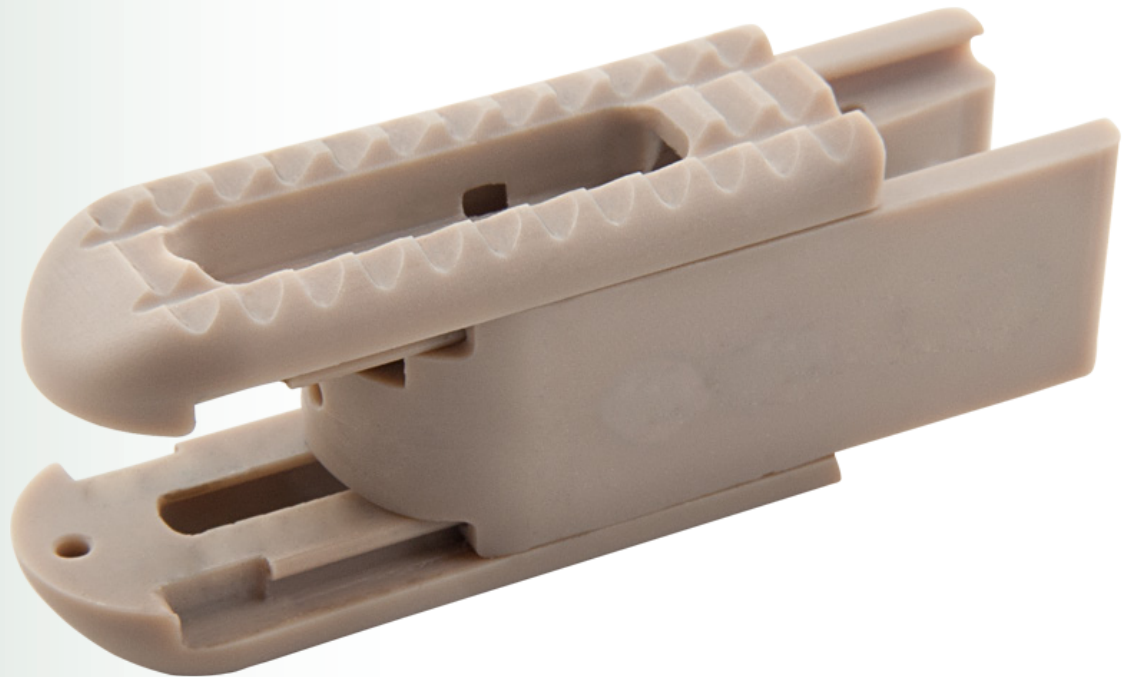


OCTANE™ M

Modular PEEK Spacer System

Octane® M is a modular, self-distracting PEEK Spacer system designed to provide controlled delivery while minimizing impaction force.



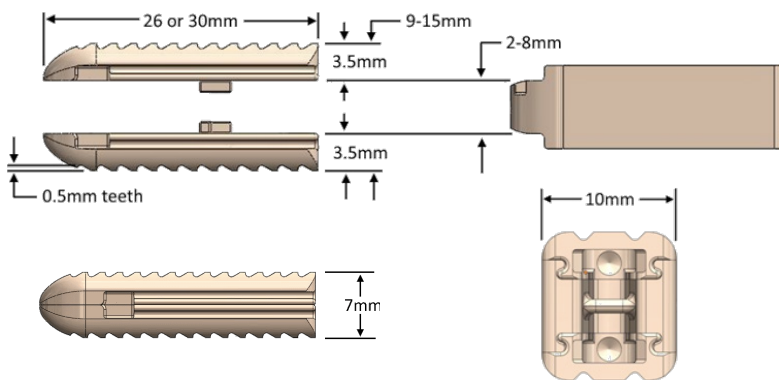
ChoiceSpine™
Propelling Spinal Surgery

OCTANE™ M

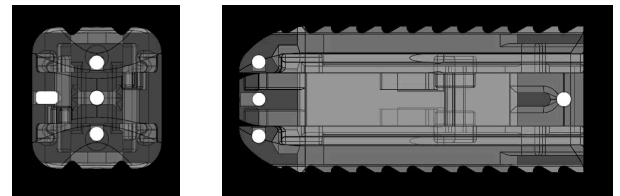
Features

- Designed for introduction at 7mm
- Height expansion from 9mm to 15mm in single interbody option
- Posterior opening and instrumentation allow for autogenous bone graft delivery
- Radiographic markers designed to aid in confirming final positioning and assembly
- Multiple footprints enable surgeons more flexibility in sizing intraoperatively
- Single step expansion
- Angular teeth designed to prevent migration
- Large graft area

Spacer Dimensions



Radiographic Markers



Sizing Chart

Octane M 26mm x 10mm

PART NUMBER	DESCRIPTION	GRAFT VOLUME
05-041-01-2609	OCTANE™ M 26X10X9mm	0.51cc
05-041-01-2610	OCTANE™ M 26X10X10mm	0.55cc
05-041-01-2611	OCTANE™ M 26X10X11mm	0.59cc
05-041-01-2612	OCTANE™ M 26X10X12mm	0.64cc
05-041-01-2613	OCTANE™ M 26X10X13mm	0.68cc
05-041-01-2614	OCTANE™ M 26X10X14mm	0.72cc
05-041-01-2615	OCTANE™ M 26X10X15mm	0.76cc

Octane M 30mm x 10mm

PART NUMBER	DESCRIPTION	GRAFT VOLUME
05-041-02-3009	OCTANE™ M 26X10X9mm	0.51cc
05-041-02-3010	OCTANE™ M 26X10X10mm	0.55cc
05-041-02-3011	OCTANE™ M 26X10X11mm	0.59cc
05-041-02-3012	OCTANE™ M 26X10X12mm	0.64cc
05-041-02-3013	OCTANE™ M 26X10X13mm	0.68cc
05-041-02-3014	OCTANE™ M 26X10X14mm	0.72cc
05-041-02-3015	OCTANE™ M 26X10X15mm	0.76cc