

MS - I™ Spinal Fixation System

The low profile, top-loading, self tapping
Pedicle screw system.



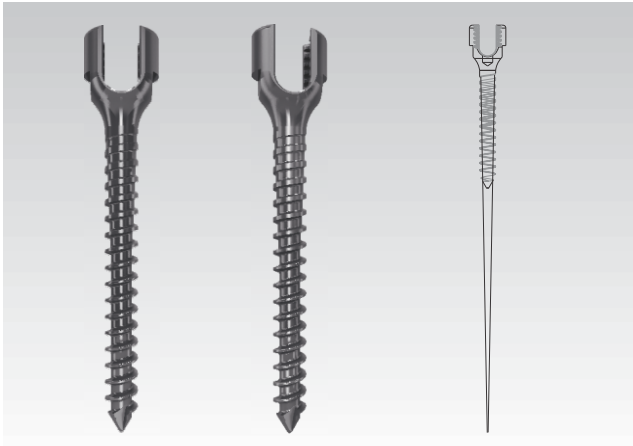
MS - I™ Spinal Fixation System

Device Description

MS - I spinal system is designed to address the pathologies of the thoracic and lumbar spine.

It is a low profile, top loading and self tapping Pedicle screws system made from Titanium alloy (Ti - 6Al - 4V-El), which has been exclusively designed for the use in Implant surgery.

Cylindrical Core

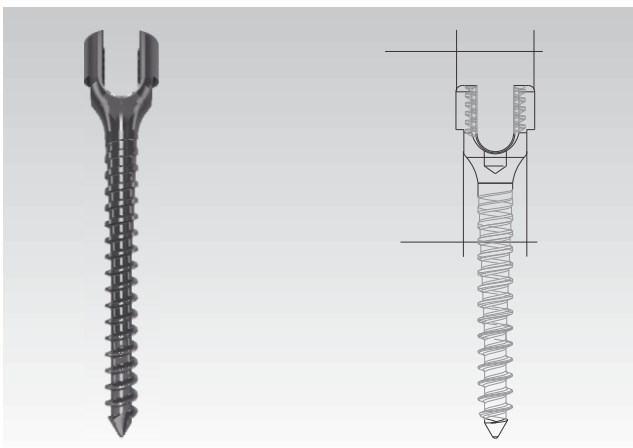


Features & Benefits

Constant major and tapered minor diameter

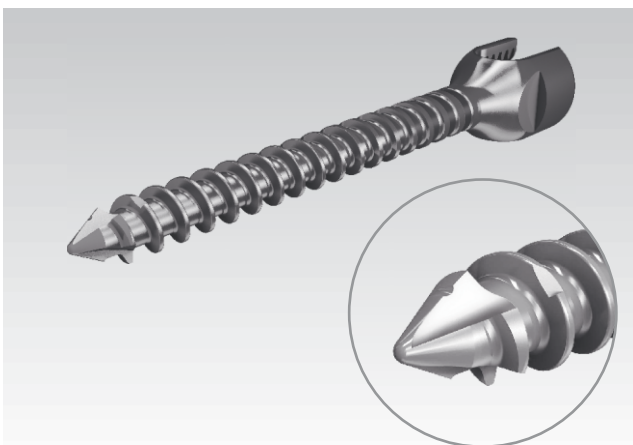
- Expedite the insertion time.
- It maximizes screw purchase.
- Provides maximum pull out strength.

Low Profile



Low profile tapered bottom head minimizes the interference with the anatomy.

Self Tapping



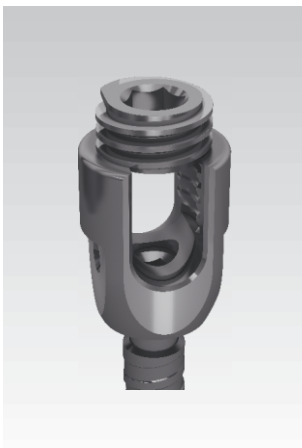
The cutting flutes enhance the screws self tapping function.

Poly Screw Angle 52°



Easily accommodates anatomical variations

- Greater Angulation make construct assembly simple.
- Greater flexibility in screw placement.



Rod Capture Mechanism is designed to prevent rod migration upon initial insertion.



Buttress thread plug helps reducing cross threading and head splay



Ø 5.7mm Rod Compatible with laser marked contour lines.

Implant Selection



Mono Axial Screw (dia 4.5mm)		
Sr. No.	Product Code	Length (mm)
1	ST001.45.30	30
2	ST001.45.35	35
3	ST001.45.40	40
4	ST001.45.45	45
Mono Axial Screw (dia 5.5mm)		
1	ST001.55.35	35
2	ST001.55.40	40
3	ST001.55.45	45
4	ST001.55.50	50

Mono Axial Screw (dia 6.2mm)		
Sr. No.	Product Code	Length (mm)
1	ST001.62.35	35
2	ST001.62.40	40
3	ST001.62.45	45
4	ST001.62.50	50
Mono Axial Screw (dia 7mm)		
1	ST001.70.35	35
2	ST001.70.40	40
3	ST001.70.45	45



Poly Axial Screw (dia 4.5mm)		
Sr. No.	Product Code	Length (mm)
1	ST002.45.30	30
2	ST002.45.35	35
3	ST002.45.40	40
4	ST002.45.45	45
Poly Axial Screw (dia 5.5mm)		
1	ST002.55.35	35
2	ST002.55.40	40
3	ST002.55.45	45
4	ST002.55.50	50

Poly Axial Screw (dia 6.2mm)		
Sr. No.	Product Code	Length (mm)
1	ST002.62.35	35
2	ST002.62.40	40
3	ST002.62.45	45
4	ST002.62.50	50
Poly Axial Screw (dia 7mm)		
1	ST002.70.35	35
2	ST002.70.40	40
3	ST002.70.45	45



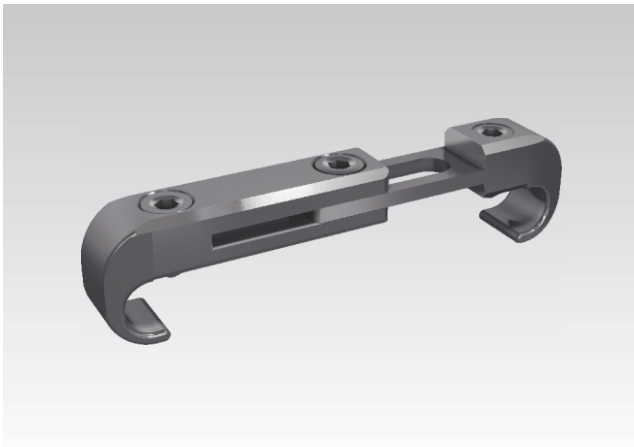
Reduction Screw (dia 5.5mm)		
Sr. No.	Product Code	Length (mm)
1	ST003.55.35	35
2	ST003.55.40	40
Reduction Screw (dia 6.2mm)		
1	ST003.62.35	35
2	ST003.62.40	40
3	ST003.62.45	45

Reduction Screw (dia 7mm)		
Sr. No.	Product Code	Length (mm)
1	ST003.70.35	35
2	ST003.70.40	40
3	ST003.70.45	45

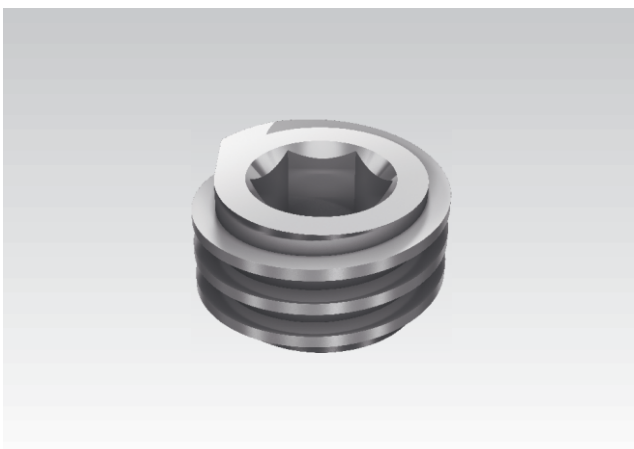


Implant Selection

Rod (dia 5.7mm)		
Sr. No.	Product Code	Length (mm)
1	RT004.57.40	40
2	RT004.57.50	50
3	RT004.57.60	60
4	RT004.57.70	70
5	RT004.57.80	80
6	RT004.57.90	90
7	RT004.57.100	100
8	RT004.57.120	120
9	RT004.57.140	140
10	RT004.57.160	160
11	RT004.57.200	200
12	RT004.57.400	400



Cross Link		
Sr. No.	Product Code	Length (mm)
1	CLT005.3034	30 - 34
2	CLT005.3442	34 - 42
3	CLT005.4053	40 - 53
4	CLT005.5070	50 - 70

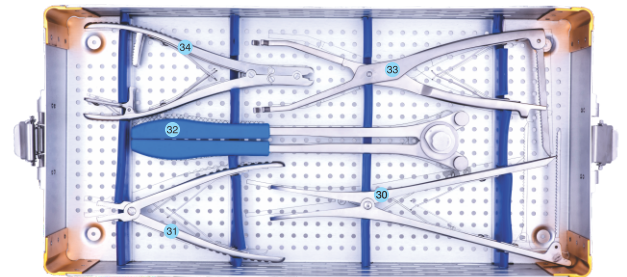
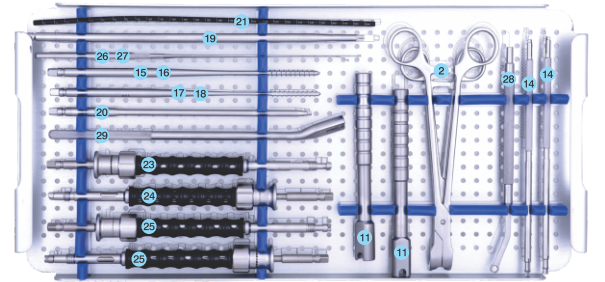
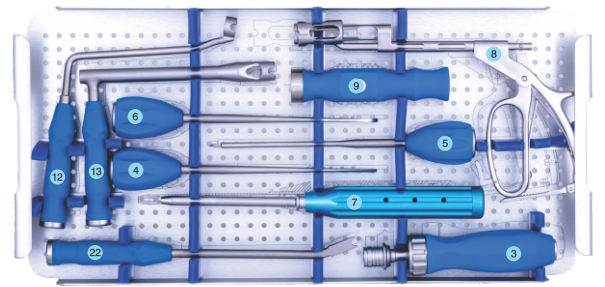


Plug		
Sr. No.	Product Code	Length (mm)
1	IT006	9.45*5

Basic Instrument Set

Sr. No.	Description	Code
1	Simple Ratchet Handle	N - 1236
2	Rod Holding Forcecp	N - 1237
3	Locking Ratchet Handle	N - 1238
4	Spatulla Probe	N - 1239
5	Opening Awl	N - 1240
6	Spatulla Awl	N - 1241
7	Imaging needle with Holder with 8 pins	N - 1242
8	Persuader	N - 1243
9	Torque limiting T-Handle	N - 1244
10	Universal T - Handle	N - 1245
11	Extension Sleeve	N - 1246
12	Confrontation wrench	N - 1247
13	Counter Torque Wrench	N - 1248
14	Stick for plug holding SW 4.5/SW 3.5mm	N - 1249
15	Screw tap Ø 6.5	N - 1250
16	Screw tap Ø 5.0	N - 1251
17	Screw tap Ø 4.0	N - 1252
18	Screw tap Ø 5.5	N - 1253
19	Plug Screwdriver	N - 1254
20	Cross link Screwdriver SW 2.5mm	N - 1255
21	Template Rod Rod Ø 5.5mm	N - 1256
22	Rod Pusher	N - 1257
23	Reduction Screw Holder	N - 1258
24	Mono Axial Screw Holder	N - 1259
25	Poly Axial Screw Holder	N - 1260
26	Probe Needle Straight	N - 1261
27	Probe Needle Curved	N - 1262
28	Rod Bending device	N - 1263
29	Reduction Screw Tip Breaker	N - 1264
30	Distracting Forceps	N - 1265
31	Rod Griper	N - 1266
32	French Rod Bender	N - 1267
33	Compression Device	N - 1268
34	Rod maneuvering Pliers	N - 1269
35	Spatula Lenkepobe	N-1270
36	Screw box	-

INSTRUMENT SET



Miraclus Orthotech Pvt. Ltd.

Corporate office :

B-513, Mondeal Square, Opp. Karnavati Club,
Pralahadnagar, Ahmedabad-380015
Phone : +91 79 4004 8577

Plant address :

Plot No. 1112, Phase-3, G.I.D.C., Vatva, Ahmedabad - 382 445.
Phone : +91 79 2583 1332, 2583 1333
Email : contact@miraclus.com | www.miraclus.com