



PERFECT SPINE

PEDICULAR SCREWS, HOOKS & RODS

Athon Surgical – a committed specialist that cares for clinical resources

Specialized in the fields of orthopedics, traumatology and spinal column, athon surgical develops innovative products and solutions, from which you as a dealer benefit just like the respectively responsible doctor or the OP personnel and - beyond the economic and administrative aspect - clinic management as well.

The excellent quality and precision of our products, as well as the willingness to adapt our developments exclusively to your requirements, are the most important elements of our offered products and services.

Our product ideas help you to preserve the most precious resources of daily clinic operations: Nerves, time and money.

TABLE OF CONTENTS

Introduction

- Universal Pedicular Screw System4
- Product Features 5-6
- Indications & Contraindications7

Surgical Technique

- Surgical Technique..... 8-15
- Step 1: Creating a screw hole8
- Step 2: Radiographic Control9
- Step 3: Tapping9
- Step 4: Screw Insertion.....10
- Step 5: Bending and attaching the rods.....10
- Step 6: Rod Placement.....11
- Step 7: Insert the set screw12
- Step 8: Insert the set screw (2).....13
- Step 9: Distraction / Compression14
- Step 10: Tightening of the set screw15

Ordering information

- Monoaxial Screw (Reduction)..... 16-17
- Monoaxial Screw (non-Reduction) 18-19
- Polyaxial Screw (Reduction)..... 20-21
- Polyaxial Screw (non-Reduction) 22-23
- Set screw & Crosslinks24
- Rods..... 25-27
- Hooks..... 28-29
- Instruments 30-34
- Containers & Trays..... 35-41

INTRODUCTION

Perfect Spine Universal Pedicular Screw System - Screw, hooks, rods and clamps

The Perfect Spine Spinal System is a set of instruments and implants for the surgical approaches of deformity, degenerative and trauma indications.

Key Features & Benefits

Highly versatile

- Pre-bend rods
- Optimal selection of implants
- Easy-to-use instrumentation

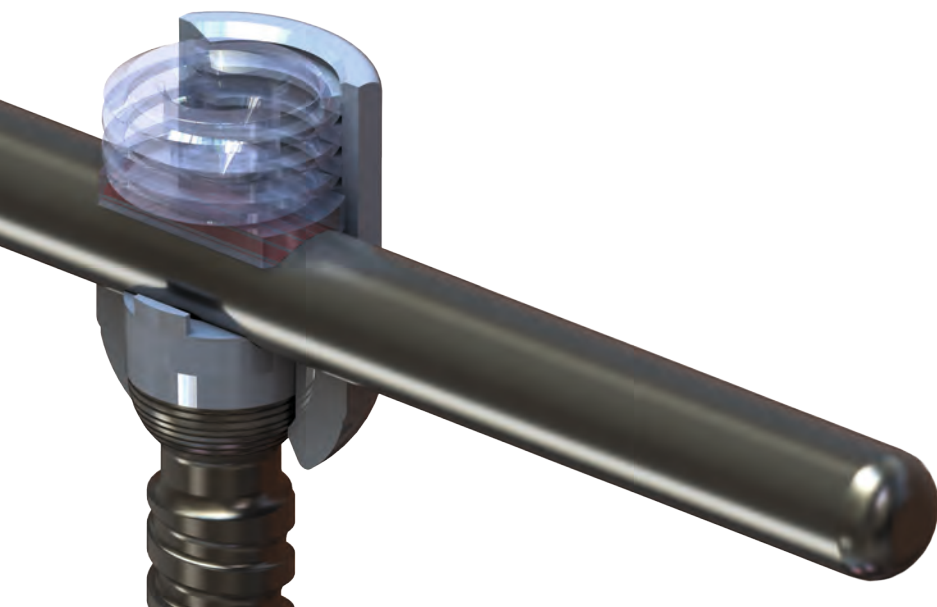
Best performance

- Cap thread designed to reduce cross threading
- Visual and tactile indicators to ensure proper implant and instrument assembly
- Buttress Thread enhances optimal bone purchase

Easy to use

- Cannulated Instruments
- Snap-on, telescoping transverse connectors provides easy attachment

Please refer to the package insert for a complete list of indications, contraindications, recautions and warnings.



PRODUCT FEATURES

Pedicular Screw:

The Perfect Spine Spinal Fixation System is an internal fixation device for spinal surgical comprising of pedicle screws, connectors, rods, housings and transverse link assemblies. Various forms and sizes of implants are available so that adaptations can be made to take into account the pathology and individual patient.

Locking Nut

- Single size
- Stable thread profile
- Unique rotating saddle design or single piece

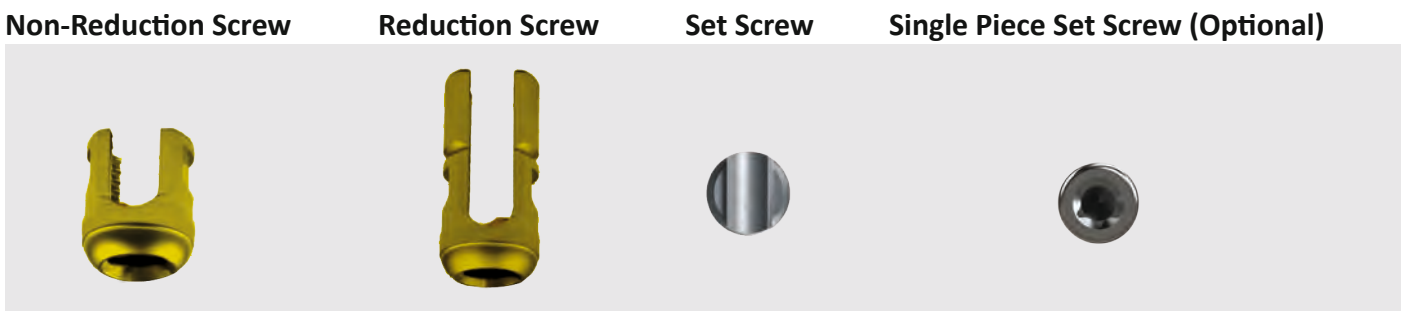
Screw Head

- Unique thread design
- Low profile
- Color code by size
- Reduction & Non-Reduction
- Polyaxial and Monoaxial

Screw Shaft

- Self-tapping design
- Diameters are from 4.5 mm to 7.5 mm
- Increased pull-out strength
- Easy rod capture (50° rom)

50°

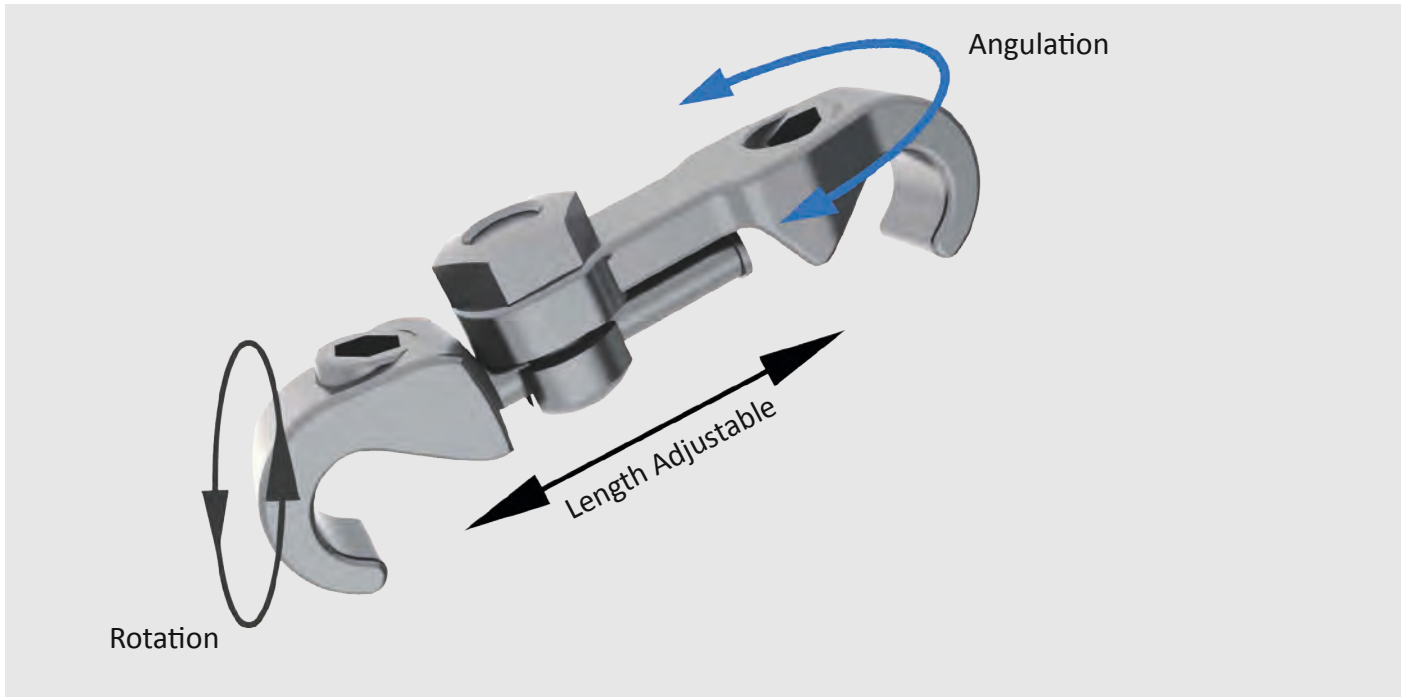


Screw heads are color coded by screw diameter



PRODUCT FEATURES

Cross-Link



INDICATIONS / CONTRAINDICATIONS

When using as a fixation system of the non-cervical posterior spine in skeletally mature patients, the Spine System is indicated for one or more of the following:

Indications

- Degenerative spondylolisthesis
- Fracture
- Spinal tumors
- Dislocation
- Scoliosis
- Kyphosis
- Failed previous fusion
- Having severe spondylolisthesis (Grades 3 and 4) of the fifth lumbar-first sacral (L5-S1) vertebral joint
- Who are receiving fusions using autogenous bone graft only
- Who are having the device fixed or attached to the lumbar and sacral spine (L3 and below)
- Who are having the device removed after the development of a solid fusion mass

Contraindications (Contraindications include, but are not limited to):

- Active infectious process or significant risk of infection (immunocompromise)
- Signs of local inflammation
- Fever or leukocytosis
- Morbid obesity
- Pregnancy
- Mental illness
- Grossly distorted anatomy caused by congenital abnormalities.
- Any other medical or surgical condition which would preclude the potential benefit of spinal implant surgery.
- Rapid joint disease, bone absorption, osteopenia, osteomalacia and/or osteoporosis.
Osteoporosis or osteopenia is a relative contraindication since this condition may limit the degree of obtainable correction, stabilization, and/or the amount of mechanical fixation.
- Suspected or documented metal allergy or intolerance.
- Any case not needing a bone graft and fusion.
- Any case where the implant components selected for use would be too large or too small to achieve a successful result.
- Any case that requires the mixing of metals from two different components or systems.
- Any patient having inadequate tissue coverage over the operative site or inadequate bone stock or quality.
- Any patient in which implant utilization would interfere with anatomical structures or expected physiological performance.
- Any patient unwilling to follow postoperative instructions.

SURGICAL TECHNIQUE

Step 1: Creating a screw hole

1.1

Determine the screw insertion point and use the starter Awl to drill a hole into the cortical bone in the decided position.

1.2

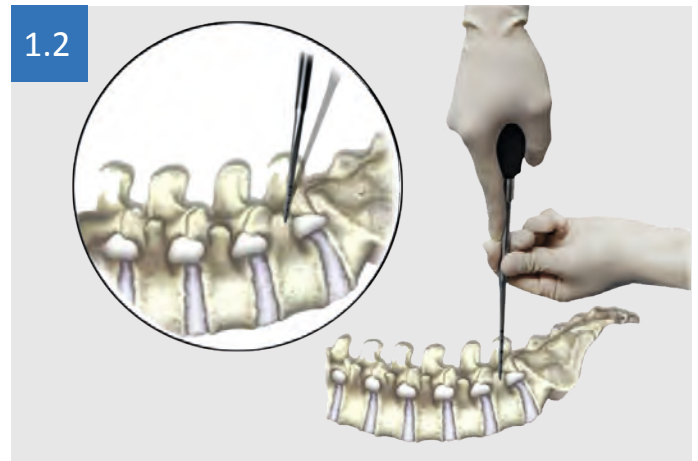
Insert the pedicle probe into the hole and gently push it into the pedicle.



1.1



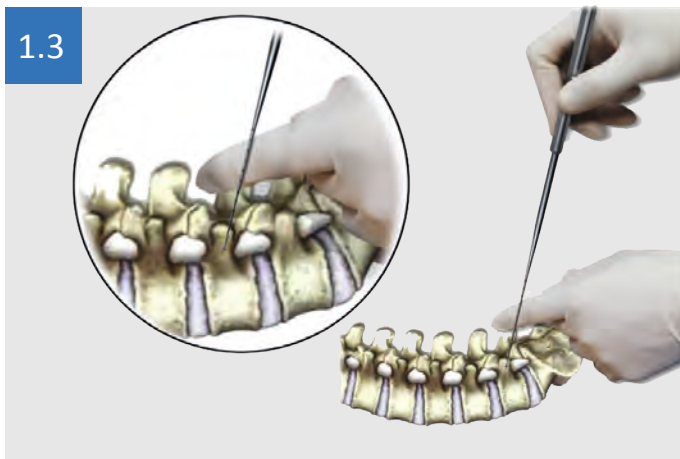
■ Ref. No. SCC110-0211
Bone awl



1.2



■ Ref. No. SCC110-0311
Pedicle probe, straight



1.3



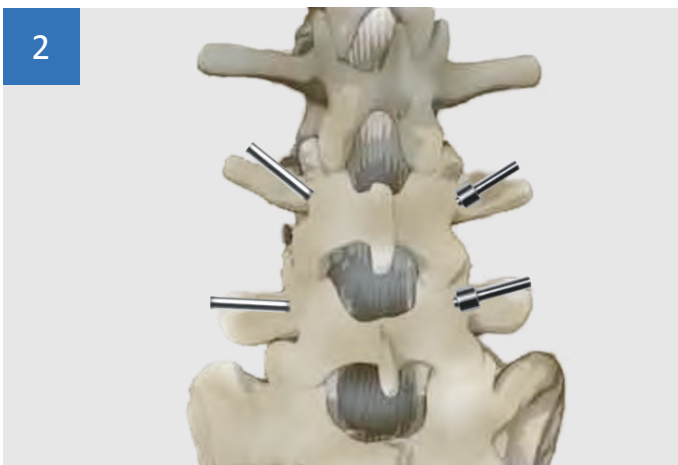
■ Ref. No. SCC110-0410
Tester (2 parts)

SURGICAL TECHNIQUE

Step 2: Radiographic control

2.

When implementing radiographic control measures, use the pedicle marker.

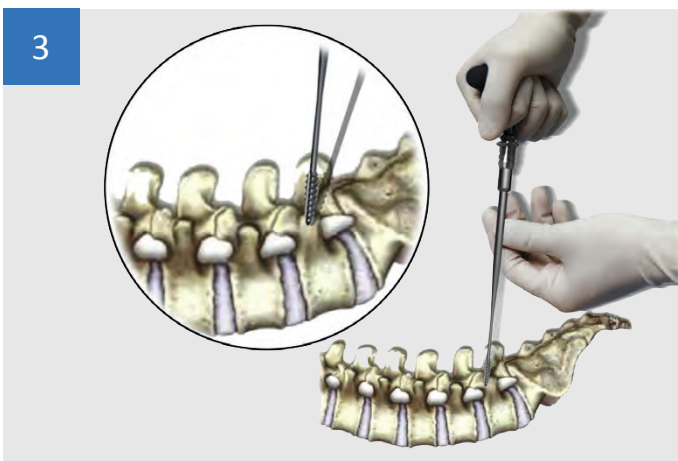


- Ref. No. SCC110-0120
Guide pin, 100 mm w. stop

Step 3: Tapping

3.

Carry out tapping using the tap, the size of which should match that of the screw. The screw is not a self-tapping type. After reconfirming by using the Tester.



- Ref. No. SCC110-0XXX
Tap



- Ref. No. SCC110-0410
Tester (2 parts)




SURGICAL TECHNIQUE

Step 4: Screw insertion

4.

Attach the screwdriver to the screw. The screwdriver is equipped with a mechanism to safely grasp the screw. After the screw is inserted, the driver comes off from the screw when turning the nut counter clockwise.

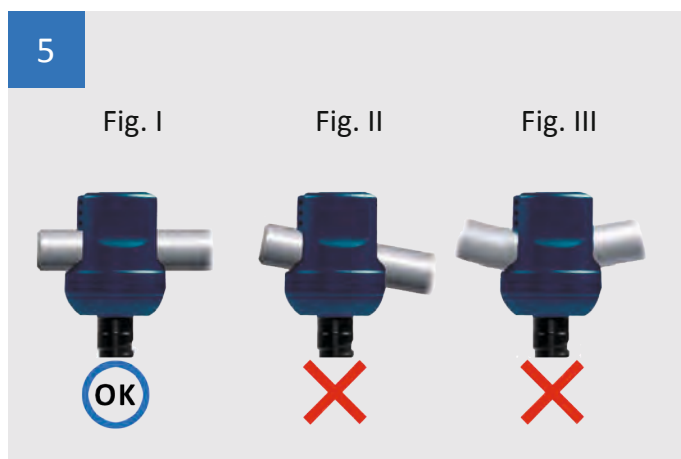


- 
 - Ref. No. SCC110-0851C
Mono reduction screw driver shaft, cannulated
- 
 - Ref. No. SCC110-0951C
Pedicule screw driver, polyaxial, cann., long
- 
 - Ref. No. SCC110-2425
Set screw driver, medium (f. torque limited handle)

Step 5: Bending and attaching the rod

5.

It is not possible to obtain a sufficient tightening strength at the connection unless the rod securely touches the screw head bottom. For a safe connection, bend the rod appropriately. (see fig I, II, III)



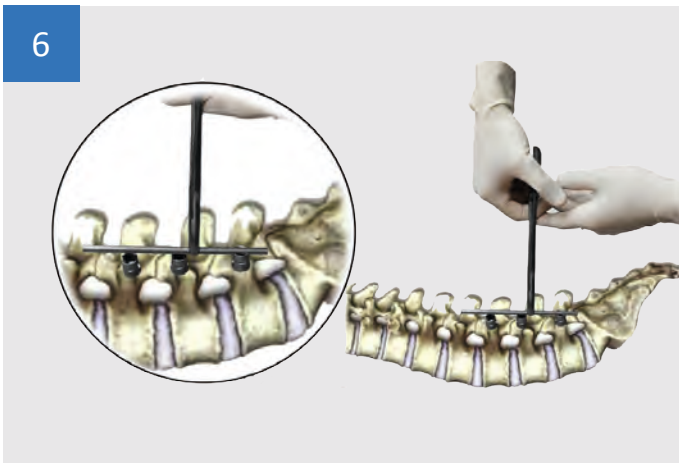
- 
 - Ref. No. SCC110-1520
French bender

This operation is particularly important when using the monoaxial screw.

SURGICAL TECHNIQUE

Step 6: Rod insertion

6.
Attach the rod to the screw head by use of a Rod Holder.



- Ref. No. SCC110-1212
Rod holder, 6 mm w. ring handle

SURGICAL TECHNIQUE

Step 7: Insert the Set Screw

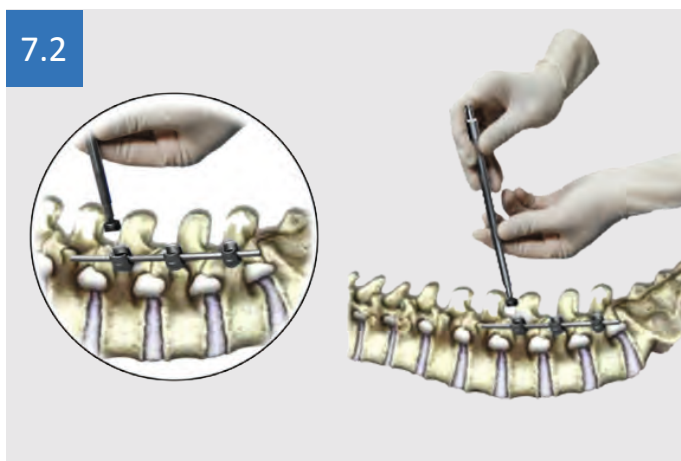
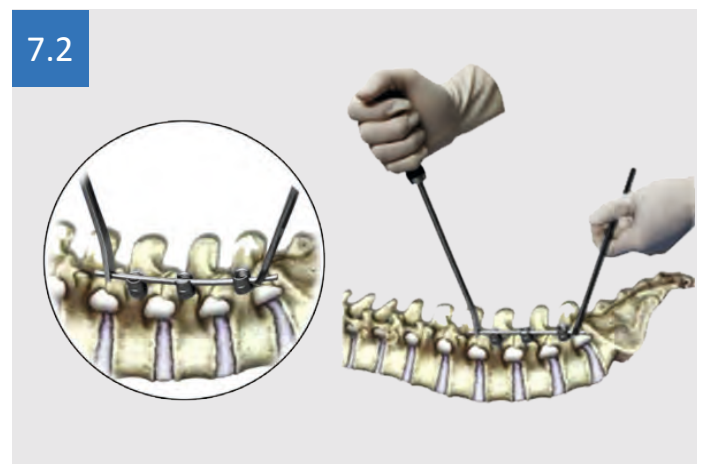
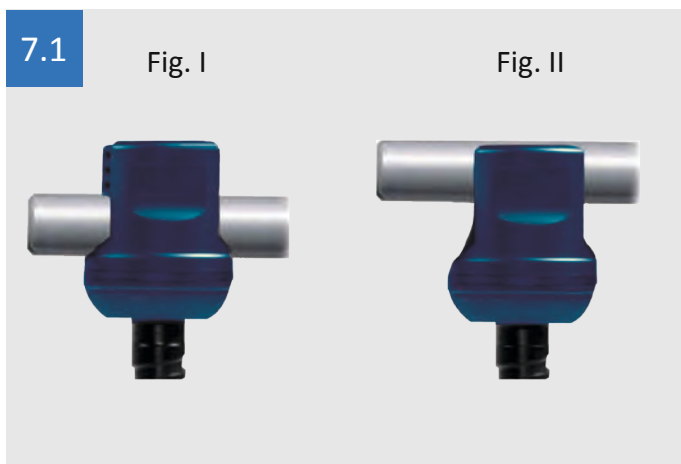
7.1

When the rod is not securely touching the screw head base, (Fig.2) sufficient tightening strength cannot be obtained at the connection. For a safe connection, it is necessary to push the rod into the screw bottom.

7.2

To attach the screw and the rod closely use the rod pusher or the rod fork.

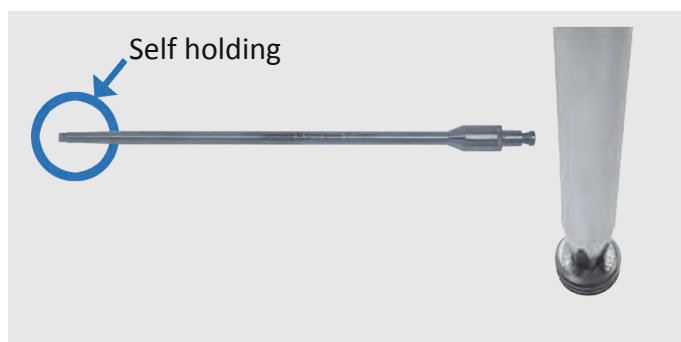
This operation to push the rod into the screw bottom is especially important when using the monoaxial screw.



- Ref. No. SCC110-1711
Rod pusher



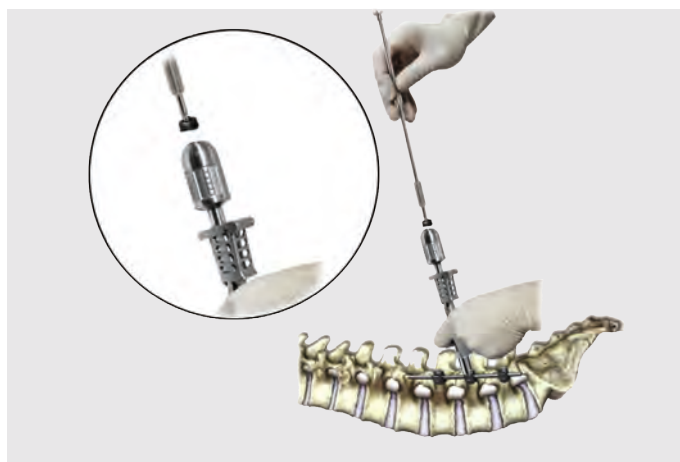
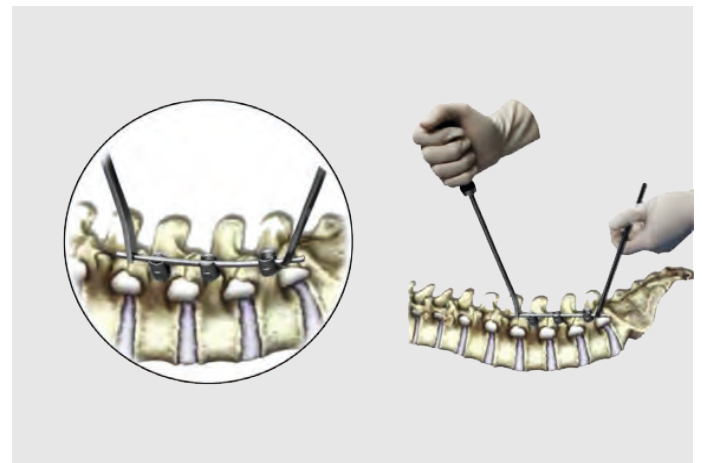
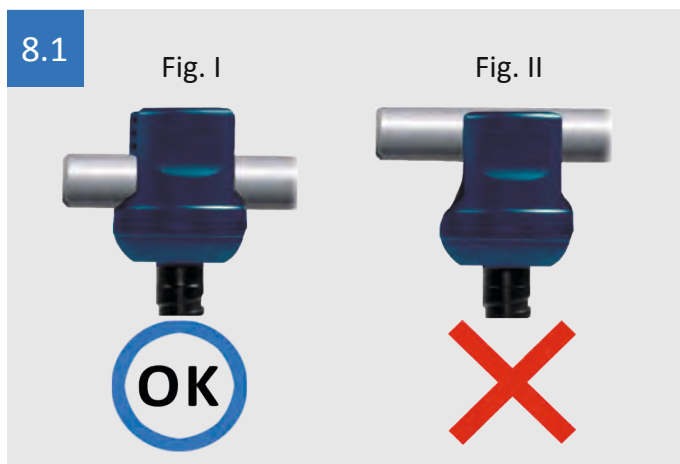
- Ref. No. SCC110-1810
Persuader fork (2 parts)



SURGICAL TECHNIQUE

Step 8: Insert the Set Screw (2)

- 8.1**
 Before putting plug into screw, make sure that rod securely reaches screw bottom (Fig.I).
 In case its position is still not properly fit; re-adjust rod position by bending or pushing with Rod Approximator.



- Ref. No. SCC110-1711
Rod pusher



- Ref. No. SCC110-1810
Persuader fork (2 parts)



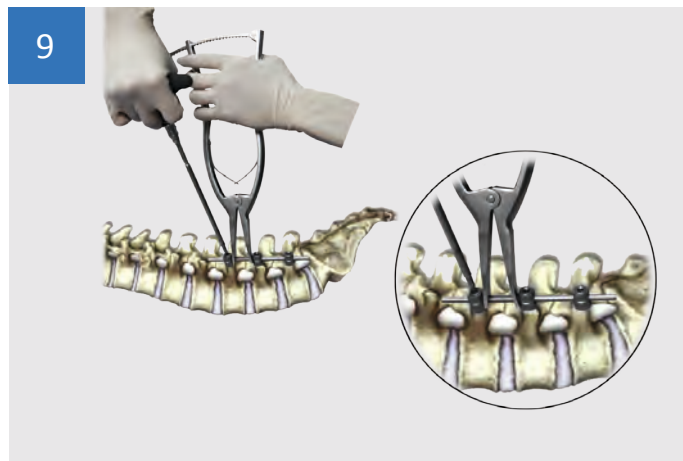
- Ref. No. SCC110-1920
Persuader (repositions-length 35 mm)

SURGICAL TECHNIQUE

Step 9: Compression / Distraction

9.1

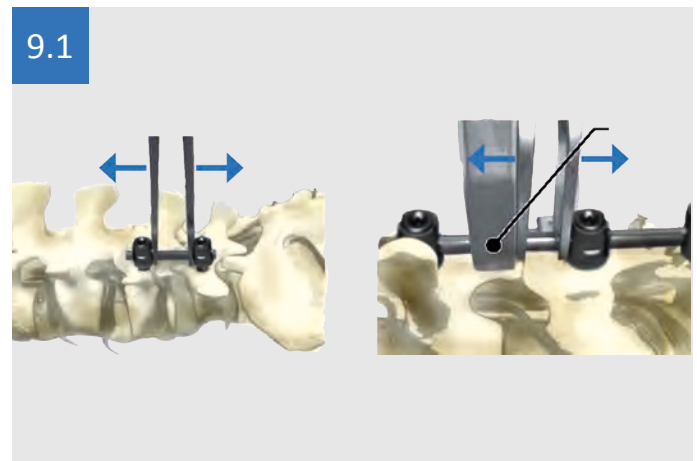
Using the distraction forceps to distract the construct into the desired position. Then provisionally tighten the set screw. Once distraction is achieved in all levels, do final tightening all set screws.



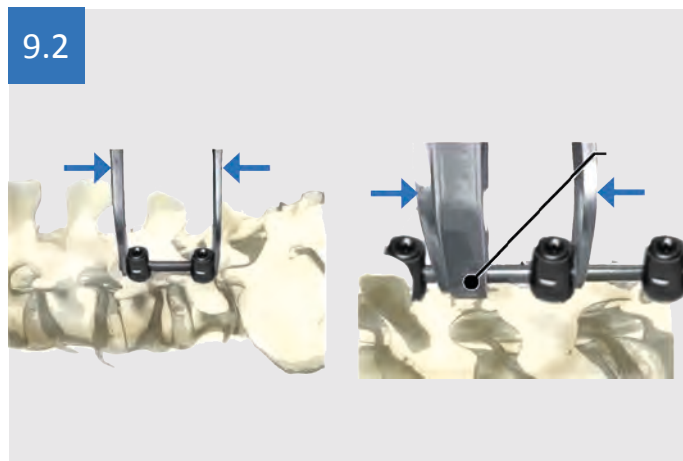
9.2

Using the compression forceps to compress the construct into the desired position and provisionally tighten the set screw. Once distraction is achieved in all levels, do final tightening all set screws.

Final tightening process:- per illustration "STEP 10".



9.2



SURGICAL TECHNIQUE

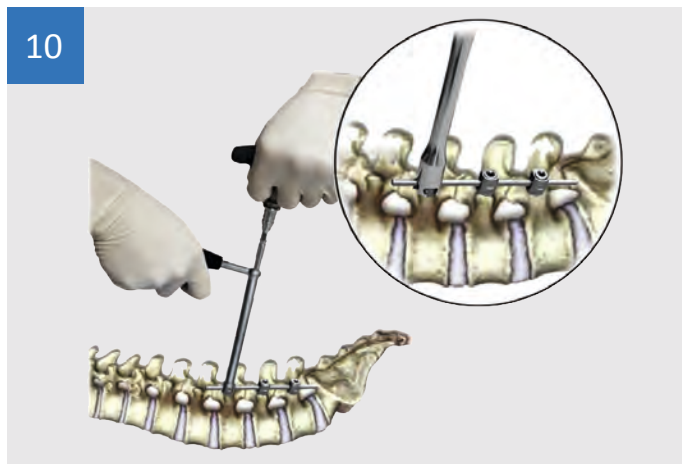
Step 10: Tightening of the Set Screw

10.

For the final step of tightening the Set Screw; using Torque Limiter, Screwdriver, and Anti-Torque Wrench altogether.

Following illustration for how to use Torque Limiter Attaching Anti-Torque Wrench to screw head and tighten screw with Screwdriver.

Once tightening is successfully completed; the screwdriver will be clicked and run idle automatically.



- Ref. No. SCC110-2911
Counter-torque, short
- Ref. No. SCC110-2912
Counter-torque, long



- Ref. No. SCC110-2441
Torque wrench w. t-handle, 12Nm



- Ref. No. SCC110-2415
Set screw driver, long (f. torque limited handle)
- Ref. No. SCC110-2425
Set screw driver, medium (f. torque limited handle)



- Ref. No. SCC110-0961
Hex. screw driver f. cross links

IMPLANTS

Monoaxial Screw 4.5 mm Reduction

<u>Ref. No.</u>	<u>Description</u>	
■ MSR08-4520	Non-cannulated, 20 mm	
■ MSR08-4525	Non-cannulated, 25 mm	
■ MSR08-4530	Non-cannulated, 30 mm	
■ MSR08-4535	Non-cannulated, 35 mm	
■ MSR08-4540	Non-cannulated, 40 mm	
■ MSR08-4545	Non-cannulated, 45 mm	
■ MSR08-4550	Non-cannulated, 50 mm	
■ MSR08-4555	Non-cannulated, 55 mm	
■ MSR08-4560	Non-cannulated, 60 mm	

Monoaxial Screw 5.5 mm Reduction


<u>Ref. No.</u>	<u>Description</u>	
■ MSR09-5520	Non-cannulated, 20 mm	
■ MSR09-5525	Non-cannulated, 25 mm	
■ MSR09-5530	Non-cannulated, 30 mm	
■ MSR09-5535	Non-cannulated, 35 mm	
■ MSR09-5540	Non-cannulated, 40 mm	
■ MSR09-5545	Non-cannulated, 45 mm	
■ MSR09-5550	Non-cannulated, 50 mm	
■ MSR09-5555	Non-cannulated, 55 mm	
■ MSR09-5560	Non-cannulated, 60 mm	

<u>Ref. No.</u>	<u>Description</u>	
■ MSRK09-5520	Cementable / Cannulated, 20 mm	
■ MSRK09-5525	Cementable / Cannulated, 25 mm	
■ MSRK09-5530	Cementable / Cannulated, 30 mm	
■ MSRK09-5535	Cementable / Cannulated, 35 mm	
■ MSRK09-5540	Cementable / Cannulated, 40 mm	
■ MSRK09-5545	Cementable / Cannulated, 45 mm	
■ MSRK09-5550	Cementable / Cannulated, 50 mm	
■ MSRK09-5555	Cementable / Cannulated, 55 mm	
■ MSRK09-5560	Cementable / Cannulated, 60 mm	

IMPLANTS

Monoaxial Screw 6.5 mm Reduction

<u>Ref. No.</u>	<u>Description</u>		
■ MSR10-6520	Non-cannulated, 20 mm		
■ MSR10-6525	Non-cannulated, 25 mm		
■ MSR10-6530	Non-cannulated, 30 mm		
■ MSR10-6535	Non-cannulated, 35 mm		
■ MSR10-6540	Non-cannulated, 40 mm		
■ MSR10-6545	Non-cannulated, 45 mm		
■ MSR10-6550	Non-cannulated, 50 mm		
■ MSR10-6555	Non-cannulated, 55 mm		
■ MSR10-6560	Non-cannulated, 60 mm		

<u>Ref. No.</u>	<u>Description</u>		
■ MSRK10-6520	Cementable / Cannulated, 20 mm		
■ MSRK10-6525	Cementable / Cannulated, 25 mm		
■ MSRK10-6530	Cementable / Cannulated, 30 mm		
■ MSRK10-6535	Cementable / Cannulated, 35 mm		
■ MSRK10-6540	Cementable / Cannulated, 40 mm		
■ MSRK10-6545	Cementable / Cannulated, 45 mm		
■ MSRK10-6550	Cementable / Cannulated, 50 mm		
■ MSRK10-6555	Cementable / Cannulated, 55 mm		
■ MSRK10-6560	Cementable / Cannulated, 60 mm		

Monoaxial Screw 7.5 mm Reduction

<u>Ref. No.</u>	<u>Description</u>		
■ MSR11-7520	Non-cannulated, 20 mm		
■ MSR11-7525	Non-cannulated, 25 mm		
■ MSR11-7530	Non-cannulated, 30 mm		
■ MSR11-7535	Non-cannulated, 35 mm		
■ MSR11-7540	Non-cannulated, 40 mm		
■ MSR11-7545	Non-cannulated, 45 mm		
■ MSR11-7550	Non-cannulated, 50 mm		
■ MSR11-7555	Non-cannulated, 55 mm		
■ MSR11-7560	Non-cannulated, 60 mm		

<u>Ref. No.</u>	<u>Description</u>		
■ MSRK11-7520	Cementable / Cannulated, 20 mm		
■ MSRK11-7525	Cementable / Cannulated, 25 mm		
■ MSRK11-7530	Cementable / Cannulated, 30 mm		
■ MSRK11-7535	Cementable / Cannulated, 35 mm		
■ MSRK11-7540	Cementable / Cannulated, 40 mm		
■ MSRK11-7545	Cementable / Cannulated, 45 mm		
■ MSRK11-7550	Cementable / Cannulated, 50 mm		
■ MSRK11-7555	Cementable / Cannulated, 55 mm		
■ MSRK11-7560	Cementable / Cannulated, 60 mm		

IMPLANTS

Monoaxial Screw 4.5 mm

<u>Ref. No.</u>	<u>Description</u>	
■ MSS08-4520	Non-cannulated, 20 mm	
■ MSS08-4525	Non-cannulated, 25 mm	
■ MSS08-4530	Non-cannulated, 30 mm	
■ MSS08-4535	Non-cannulated, 35 mm	
■ MSS08-4540	Non-cannulated, 40 mm	
■ MSS08-4545	Non-cannulated, 45 mm	
■ MSS08-4550	Non-cannulated, 50 mm	
■ MSS08-4555	Non-cannulated, 55 mm	
■ MSS08-4560	Non-cannulated, 60 mm	

Monoaxial Screw 5.5 mm

<u>Ref. No.</u>	<u>Description</u>	
■ MSS09-5520	Non-cannulated, 20 mm	
■ MSS09-5525	Non-cannulated, 25 mm	
■ MSS09-5530	Non-cannulated, 30 mm	
■ MSS09-5535	Non-cannulated, 35 mm	
■ MSS09-5540	Non-cannulated, 40 mm	
■ MSS09-5545	Non-cannulated, 45 mm	
■ MSS09-5550	Non-cannulated, 50 mm	
■ MSS09-5555	Non-cannulated, 55 mm	
■ MSS09-5560	Non-cannulated, 60 mm	

<u>Ref. No.</u>	<u>Description</u>	
■ MSSK09-5520	Cementable / Cannulated, 20 mm	
■ MSSK09-5525	Cementable / Cannulated, 25 mm	
■ MSSK09-5530	Cementable / Cannulated, 30 mm	
■ MSSK09-5535	Cementable / Cannulated, 35 mm	
■ MSSK09-5540	Cementable / Cannulated, 40 mm	
■ MSSK09-5545	Cementable / Cannulated, 45 mm	
■ MSSK09-5550	Cementable / Cannulated, 50 mm	
■ MSSK09-5555	Cementable / Cannulated, 55 mm	
■ MSSK09-5560	Cementable / Cannulated, 60 mm	

IMPLANTS

Monoaxial Screw 6.5 mm

<u>Ref. No.</u>	<u>Description</u>	
■ MSS10-6520	Non-cannulated, 20 mm	
■ MSS10-6525	Non-cannulated, 25 mm	
■ MSS10-6530	Non-cannulated, 30 mm	
■ MSS10-6535	Non-cannulated, 35 mm	
■ MSS10-6540	Non-cannulated, 40 mm	
■ MSS10-6545	Non-cannulated, 45 mm	
■ MSS10-6550	Non-cannulated, 50 mm	
■ MSS10-6555	Non-cannulated, 55 mm	
■ MSS10-6560	Non-cannulated, 60 mm	

<u>Ref. No.</u>	<u>Description</u>	
■ MSSK10-6520	Cementable / Cannulated, 20 mm	
■ MSSK10-6525	Cementable / Cannulated, 25 mm	
■ MSSK10-6530	Cementable / Cannulated, 30 mm	
■ MSSK10-6535	Cementable / Cannulated, 35 mm	
■ MSSK10-6540	Cementable / Cannulated, 40 mm	
■ MSSK10-6545	Cementable / Cannulated, 45 mm	
■ MSSK10-6550	Cementable / Cannulated, 50 mm	
■ MSSK10-6555	Cementable / Cannulated, 55 mm	
■ MSSK10-6560	Cementable / Cannulated, 60 mm	

Monoaxial Screw 7.5 mm

<u>Ref. No.</u>	<u>Description</u>	
■ MSS11-7520	Non-cannulated, 20 mm	
■ MSS11-7525	Non-cannulated, 25 mm	
■ MSS11-7530	Non-cannulated, 30 mm	
■ MSS11-7535	Non-cannulated, 35 mm	
■ MSS11-7540	Non-cannulated, 40 mm	
■ MSS11-7545	Non-cannulated, 45 mm	
■ MSS11-7550	Non-cannulated, 50 mm	
■ MSS11-7555	Non-cannulated, 55 mm	
■ MSS11-7560	Non-cannulated, 60 mm	

<u>Ref. No.</u>	<u>Description</u>	
■ MSSK11-7520	Cementable / Cannulated, 20 mm	
■ MSSK11-7525	Cementable / Cannulated, 25 mm	
■ MSSK11-7530	Cementable / Cannulated, 30 mm	
■ MSSK11-7535	Cementable / Cannulated, 35 mm	
■ MSSK11-7540	Cementable / Cannulated, 40 mm	
■ MSSK11-7545	Cementable / Cannulated, 45 mm	
■ MSSK11-7550	Cementable / Cannulated, 50 mm	
■ MSSK11-7555	Cementable / Cannulated, 55 mm	
■ MSSK11-7560	Cementable / Cannulated, 60 mm	

IMPLANTS

Polyaxial Screw 4.5 mm Reduction

<u>Ref. No.</u>	<u>Description</u>	
■ PSR08-4520	Non-cannulated, 20 mm	
■ PSR08-4525	Non-cannulated, 25 mm	
■ PSR08-4530	Non-cannulated, 30 mm	
■ PSR08-4535	Non-cannulated, 35 mm	
■ PSR08-4540	Non-cannulated, 40 mm	
■ PSR08-4545	Non-cannulated, 45 mm	
■ PSR08-4550	Non-cannulated, 50 mm	
■ PSR08-4555	Non-cannulated, 55 mm	
■ PSR08-4560	Non-cannulated, 60 mm	

Polyaxial Screw 5.5 mm Reduction

<u>Ref. No.</u>	<u>Description</u>	
■ PSR09-5520	Non-cannulated, 20 mm	
■ PSR09-5525	Non-cannulated, 25 mm	
■ PSR09-5530	Non-cannulated, 30 mm	
■ PSR09-5535	Non-cannulated, 35 mm	
■ PSR09-5540	Non-cannulated, 40 mm	
■ PSR09-5545	Non-cannulated, 45 mm	
■ PSR09-5550	Non-cannulated, 50 mm	
■ PSR09-5555	Non-cannulated, 55 mm	
■ PSR09-5560	Non-cannulated, 60 mm	

<u>Ref. No.</u>	<u>Description</u>	
■ PSRK09-5520	Cementable / Cannulated, 20 mm	
■ PSRK09-5525	Cementable / Cannulated, 25 mm	
■ PSRK09-5530	Cementable / Cannulated, 30 mm	
■ PSRK09-5535	Cementable / Cannulated, 35 mm	
■ PSRK09-5540	Cementable / Cannulated, 40 mm	
■ PSRK09-5545	Cementable / Cannulated, 45 mm	
■ PSRK09-5550	Cementable / Cannulated, 50 mm	
■ PSRK09-5555	Cementable / Cannulated, 55 mm	
■ PSRK09-5560	Cementable / Cannulated, 60 mm	

IMPLANTS

Polyaxial Screw 6.5 mm Reduction

<u>Ref. No.</u>	<u>Description</u>	
■ PSRK10-6520	Non-cannulated, 20 mm	
■ PSRK10-6525	Non-cannulated, 25 mm	
■ PSRK10-6530	Non-cannulated, 30 mm	
■ PSRK10-6535	Non-cannulated, 35 mm	
■ PSRK10-6540	Non-cannulated, 40 mm	
■ PSRK10-6545	Non-cannulated, 45 mm	
■ PSRK10-6550	Non-cannulated, 50 mm	
■ PSRK10-6555	Non-cannulated, 55 mm	
■ PSRK10-6560	Non-cannulated, 60 mm	

<u>Ref. No.</u>	<u>Description</u>	
■ PSRK10-6520	Cementable / Cannulated, 20 mm	
■ PSRK10-6525	Cementable / Cannulated, 25 mm	
■ PSRK10-6530	Cementable / Cannulated, 30 mm	
■ PSRK10-6535	Cementable / Cannulated, 35 mm	
■ PSRK10-6540	Cementable / Cannulated, 40 mm	
■ PSRK10-6545	Cementable / Cannulated, 45 mm	
■ PSRK10-6550	Cementable / Cannulated, 50 mm	
■ PSRK10-6555	Cementable / Cannulated, 55 mm	
■ PSRK10-6560	Cementable / Cannulated, 60 mm	

Polyaxial Screw 7.5 mm Reduction

<u>Ref. No.</u>	<u>Description</u>	
■ PSRK11-7520	Non-cannulated, 20 mm	
■ PSRK11-7525	Non-cannulated, 25 mm	
■ PSRK11-7530	Non-cannulated, 30 mm	
■ PSRK11-7535	Non-cannulated, 35 mm	
■ PSRK11-7540	Non-cannulated, 40 mm	
■ PSRK11-7545	Non-cannulated, 45 mm	
■ PSRK11-7550	Non-cannulated, 50 mm	
■ PSRK11-7555	Non-cannulated, 55 mm	
■ PSRK11-7560	Non-cannulated, 60 mm	

<u>Ref. No.</u>	<u>Description</u>	
■ PSRK11-7520	Cementable / Cannulated, 20 mm	
■ PSRK11-7525	Cementable / Cannulated, 25 mm	
■ PSRK11-7530	Cementable / Cannulated, 30 mm	
■ PSRK11-7535	Cementable / Cannulated, 35 mm	
■ PSRK11-7540	Cementable / Cannulated, 40 mm	
■ PSRK11-7545	Cementable / Cannulated, 45 mm	
■ PSRK11-7550	Cementable / Cannulated, 50 mm	
■ PSRK11-7555	Cementable / Cannulated, 55 mm	
■ PSRK11-7560	Cementable / Cannulated, 60 mm	

IMPLANTS

Polyaxial Screw 4.5 mm

<u>Ref. No.</u>	<u>Description</u>	
■ PSS08-4520	Non-cannulated, 20 mm	
■ PSS08-4525	Non-cannulated, 25 mm	
■ PSS08-4530	Non-cannulated, 30 mm	
■ PSR08-4535	Non-cannulated, 35 mm	
■ PSS08-4540	Non-cannulated, 40 mm	
■ PSS08-4545	Non-cannulated, 45 mm	
■ PSS08-4550	Non-cannulated, 50 mm	
■ PSS08-4555	Non-cannulated, 55 mm	
■ PSS08-4560	Non-cannulated, 60 mm	

Polyaxial Screw 5.5 mm

<u>Ref. No.</u>	<u>Description</u>	
■ PSS09-5520	Non-cannulated, 20 mm	
■ PSS09-5525	Non-cannulated, 25 mm	
■ PSS09-5530	Non-cannulated, 30 mm	
■ PSS09-5535	Non-cannulated, 35 mm	
■ PSS09-5540	Non-cannulated, 40 mm	
■ PSS09-5545	Non-cannulated, 45 mm	
■ PSS09-5550	Non-cannulated, 50 mm	
■ PSS09-5555	Non-cannulated, 55 mm	
■ PSS09-5560	Non-cannulated, 60 mm	

<u>Ref. No.</u>	<u>Description</u>	
■ PSSK09-5520	Cementable / Cannulated, 20 mm	
■ PSSK09-5525	Cementable / Cannulated, 25 mm	
■ PSSK09-5530	Cementable / Cannulated, 30 mm	
■ PSSK09-5535	Cementable / Cannulated, 35 mm	
■ PSSK09-5540	Cementable / Cannulated, 40 mm	
■ PSSK09-5545	Cementable / Cannulated, 45 mm	
■ PSSK09-5550	Cementable / Cannulated, 50 mm	
■ PSSK09-5555	Cementable / Cannulated, 55 mm	
■ PSSK09-5560	Cementable / Cannulated, 60 mm	

IMPLANTS

Polyaxial Screw 6.5 mm

<u>Ref. No.</u>	<u>Description</u>	
■ PSS10-6520	Non-cannulated, 20 mm	
■ PSS10-6525	Non-cannulated, 25 mm	
■ PSS10-6530	Non-cannulated, 30 mm	
■ PSS10-6535	Non-cannulated, 35 mm	
■ PSS10-6540	Non-cannulated, 40 mm	
■ PSS10-6545	Non-cannulated, 45 mm	
■ PSS10-6550	Non-cannulated, 50 mm	
■ PSS10-6555	Non-cannulated, 55 mm	
■ PSS10-6560	Non-cannulated, 60 mm	

<u>Ref. No.</u>	<u>Description</u>	
■ PSSK10-6520	Cementable / Cannulated, 20 mm	
■ PSSK10-6525	Cementable / Cannulated, 25 mm	
■ PSSK10-6530	Cementable / Cannulated, 30 mm	
■ PSSK10-6535	Cementable / Cannulated, 35 mm	
■ PSSK10-6540	Cementable / Cannulated, 40 mm	
■ PSSK10-6545	Cementable / Cannulated, 45 mm	
■ PSSK10-6550	Cementable / Cannulated, 50 mm	
■ PSSK10-6555	Cementable / Cannulated, 55 mm	
■ PSSK10-6560	Cementable / Cannulated, 60 mm	



Polyaxial Screw 7.5 mm

<u>Ref. No.</u>	<u>Description</u>	
■ PSS11-7520	Non-cannulated, 20 mm	
■ PSS11-7525	Non-cannulated, 25 mm	
■ PSS11-7530	Non-cannulated, 30 mm	
■ PSS11-7535	Non-cannulated, 35 mm	
■ PSS11-7540	Non-cannulated, 40 mm	
■ PSS11-7545	Non-cannulated, 45 mm	
■ PSS11-7550	Non-cannulated, 50 mm	
■ PSS11-7555	Non-cannulated, 55 mm	
■ PSS11-7560	Non-cannulated, 60 mm	

<u>Ref. No.</u>	<u>Description</u>	
■ PSSK11-7520	Cementable / Cannulated, 20 mm	
■ PSSK11-7525	Cementable / Cannulated, 25 mm	
■ PSSK11-7530	Cementable / Cannulated, 30 mm	
■ PSSK11-7535	Cementable / Cannulated, 35 mm	
■ PSSK11-7540	Cementable / Cannulated, 40 mm	
■ PSSK11-7545	Cementable / Cannulated, 45 mm	
■ PSSK11-7550	Cementable / Cannulated, 50 mm	
■ PSSK11-7555	Cementable / Cannulated, 55 mm	
■ PSSK11-7560	Cementable / Cannulated, 60 mm	

SET SCREWS AND CROSS-LINKS



Set screws

<u>Ref. No.</u>	<u>Description</u>	
■ CHM01-10	Set screw w.plate f. polyaxial screws	
■ CHM01-11	Set screw f. polyaxial screws	

Crosslink

<u>Ref. No.</u>	<u>Description</u>	
■ SCC0120-0035	35 mm	
■ SCC0120-0042	42 mm	
■ SCC0120-0050	50 mm	

Connector

<u>Ref. No.</u>	<u>Description</u>	
■ EC-1-0001	TI Extention Connector 4 holes	
■ PC-1-0001	TI-Domino Rod Connector 4-holes	

RODS

Ti Rod 6 mm Straight



<u>Ref. No.</u>	<u>Description</u>
■ *SCC02-0035	35 mm
■ SCC02-0040	40 mm
■ *SCC02-0045	45 mm
■ SCC02-0050	50 mm
■ *SCC02-0055	55 mm
■ SCC02-0060	60 mm
■ *SCC02-0065	65 mm
■ SCC02-0070	70 mm
■ *SCC02-0075	75 mm
■ SCC02-0080	80 mm
■ *SCC02-0085	85 mm
■ SCC02-0090	90 mm
■ *SCC02-0095	95 mm
■ SCC02-0100	100 mm
■ *SCC02-0105	105 mm
■ SCC02-0110	110 mm
■ *SCC02-0115	115 mm
■ SCC02-0120	120 mm
■ *SCC02-0125	125 mm
■ SCC02-0130	130 mm
■ *SCC02-0135	135 mm
■ SCC02-0140	140 mm
■ *SCC02-0145	145 mm
■ SCC02-0150	150 mm
■ *SCC02-0155	155 mm
■ SCC02-0160	160 mm
■ *SCC02-0165	165 mm
■ SCC02-0170	170 mm
■ *SCC02-0175	175 mm
■ SCC02-0180	180 mm
■ *SCC02-0185	185 mm
■ SCC02-0190	190 mm
■ SCC02-0200	200 mm
■ SCC02-0250	250 mm
■ *SCC02-0260	260 mm
■ *SCC02-0270	270 mm
■ *SCC02-0280	280 mm
■ SCC02-0300	300 mm
■ *SCC02-0320	320 mm
■ SCC02-0350	350 mm
■ SCC02-0400	400 mm
■ *SCC02-0450	450 mm
■ SCC02-0500	500 mm
■ SCC02-0600	600 mm

* on request

RODS

Ti Rod 6 mm with Hex

<u>Ref. No.</u>	<u>Description</u>
■ * SCC02-1035	35 mm
■ SCC02-1040	40 mm
■ * SCC02-1045	45 mm
■ SCC02-1050	50 mm
■ * SCC02-1055	55 mm
■ SCC02-1060	60 mm
■ SCC02-1070	70 mm
■ SCC02-1080	80 mm
■ * SCC02-1090	90 mm
■ SCC02-1100	100 mm
■ * SCC02-1110	110 mm
■ SCC02-1120	120 mm
■ SCC02-1130	130 mm
■ SCC02-1140	140 mm
■ * SCC02-1150	150 mm
■ * SCC02-1160	160 mm
■ * SCC02-1170	170 mm
■ SCC02-1180	180 mm
■ * SCC02-1190	190 mm
■ SCC02-1200	200 mm
■ SCC02-1250	250 mm
■ * SCC02-1280	280 mm
■ SCC02-1300	300 mm
■ * SCC02-1320	320 mm
■ SCC02-1350	350 mm
■ SCC02-1400	400 mm
■ SCC02-1500	500 mm
■ SCC02-1600	600 mm


* on request



RODS


Ti rod curved

<u>Ref. No.</u>	<u>Description</u>
■ SCC03-0035	35 mm
■ SCC03-0040	40 mm
■ SCC03-0045	45 mm
■ SCC03-0050	50 mm
■ SCC03-0055	55 mm
■ SCC03-0060	60 mm
■ SCC03-0070	70 mm
■ SCC03-0080	80 mm
■ SCC03-0090	90 mm
■ SCC03-0100	100 mm
■ SCC03-0110	110 mm
■ SCC03-0120	120 mm
■ SCC03-0140	140 mm
■ SCC03-0160	160 mm
■ SCC03-0180	180 mm
■ SCC03-0200	200 mm
■ SCC03-0250	250 mm



Ti rod curved with Hex


<u>Ref. No.</u>	<u>Description</u>
■ * SCC03-1035	35 mm
■ * SCC03-1040	40 mm
■ * SCC03-1045	45 mm
■ * SCC03-1050	50 mm
■ * SCC03-1055	55 mm
■ * SCC03-1060	60 mm
■ * SCC03-1070	70 mm
■ * SCC03-1080	80 mm
■ * SCC03-1090	90 mm
■ * SCC03-1100	100 mm
■ * SCC03-1110	110 mm
■ * SCC03-1120	120 mm
■ * SCC03-1130	130 mm
■ * SCC03-1140	140 mm
■ * SCC03-1150	150 mm
■ * SCC03-1160	160 mm
■ * SCC03-1180	180 mm
■ * SCC03-1200	200 mm
■ * SCC03-1250	250 mm




* on request

HOOKS


Pedicle hook

<u>Ref. No.</u>	<u>Description</u>	
■ HS20-0804	20 mm	
■ HS20-0805	21 mm	
■ HS20-0806	22 mm	
■ HS20-0807	23 mm	
■ HS20-0808	24 mm	
■ HS20-0809	25 mm	
■ HS20-0810	26 mm	

Narrow laminar hook


<u>Ref. No.</u>	<u>Description</u>	
■ HS21-0504	20 mm	
■ HS21-0505	21 mm	
■ HS21-0506	22 mm	
■ HS21-0507	23 mm	
■ HS21-0508	24 mm	
■ HS21-0509	25 mm	
■ HS21-0510	26 mm	

Wide laminar hook


<u>Ref. No.</u>	<u>Description</u>	
■ HS22-0704	20 mm	
■ HS22-0705	21 mm	
■ HS22-0706	22 mm	
■ HS22-0707	23 mm	
■ HS22-0708	24 mm	
■ HS22-0709	25 mm	
■ HS22-0710	26 mm	

HOOKS


Angled laminar hook

<u>Ref. No.</u>	<u>Description</u>	
■ HS23-0505	23 mm, Left	
■ HS23-0507	25 mm, Left	
■ HS23-0509	27 mm, Left	
■ HS23-0511	29 mm, Left	
■ HS24-0505	23 mm, Right	
■ HS24-0507	25 mm, Right	
■ HS24-0509	27 mm, Right	
■ HS24-0511	29 mm, Right	


Laminar hook with offset (Left)

<u>Ref. No.</u>	<u>Description</u>	
■ HS26-0505	24 mm, Left	
■ HS26-0507	26 mm, Left	
■ HS26-0509	28 mm, Left	
■ HS26-0511	30 mm, Left	

Laminar hook with offset (Right)

<u>Ref. No.</u>	<u>Description</u>	
■ HS25-0505	24 mm, Right	
■ HS25-0507	26 mm, Right	
■ HS25-0509	28 mm, Right	
■ HS25-0511	30 mm, Right	

Laminar hook with extended body

<u>Ref. No.</u>	<u>Description</u>	
■ HS27-0504	23.5 mm	
■ HS27-0505	24.5 mm	
■ HS27-0506	25.5 mm	
■ HS27-0507	26.5 mm	
■ HS27-0508	27.5 mm	
■ HS27-0509	28.5 mm	
■ HS27-0510	29.5 mm	

INSTRUMENTS

<u>Ref. No.</u>	<u>Description</u>	
■ SCC110-0110	Guide pin 100 mm	
■ SCC110-0120	Guide pin, 100 mm w. stop	
■ SCC110-0211	Bone awl	
■ SCC110-0321	Pedicle probe, curved	
■ SCC110-0311	Pedicle probe, straight	
■ SCC110-0410	Tester (2 parts)	
■ SCC110-0205	Tulip positioner	
■ SCC110-4000	Caliper, 0-120 mm	
■ SCC110-3011	Spreader f. pedicle screws	

INSTRUMENTS

<u>Ref. No.</u>	<u>Description</u>	
■ SCC110-0620CR	T-handle w. ratchet, cann., Hudson coupling	
■ SCC110-2441	Torque wrench w. t-handle, 12Nm	
■ SCC110-0640CR	I-handle w.ratchet, cann., small, hudson coupling	
■ SCC110-0642CR	I-handle w.ratchet, cann., standard, Hudson-coupling	

INSTRUMENTS

TAP NON-CANNULATED

- SCC110-0540 4.5 mm



TAP CANNULATED

- | <u>Ref. No.</u> | <u>Description</u> |
|-----------------|--------------------|
| ■ SCC110-0550C | 5.5 mm |
| ■ SCC110-0560C | 6.5 mm |
| ■ SCC110-0570C | 7.5 mm |



Rod Template






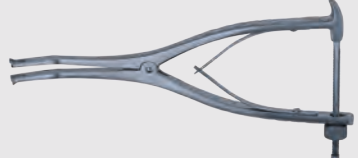

- | <u>Ref. No.</u> | <u>Description</u> |
|-----------------|--------------------|
| ■ RT-1-0001 | 4/80 mm |
| ■ RT-1-0002 | 4/160 mm |



INSTRUMENTS

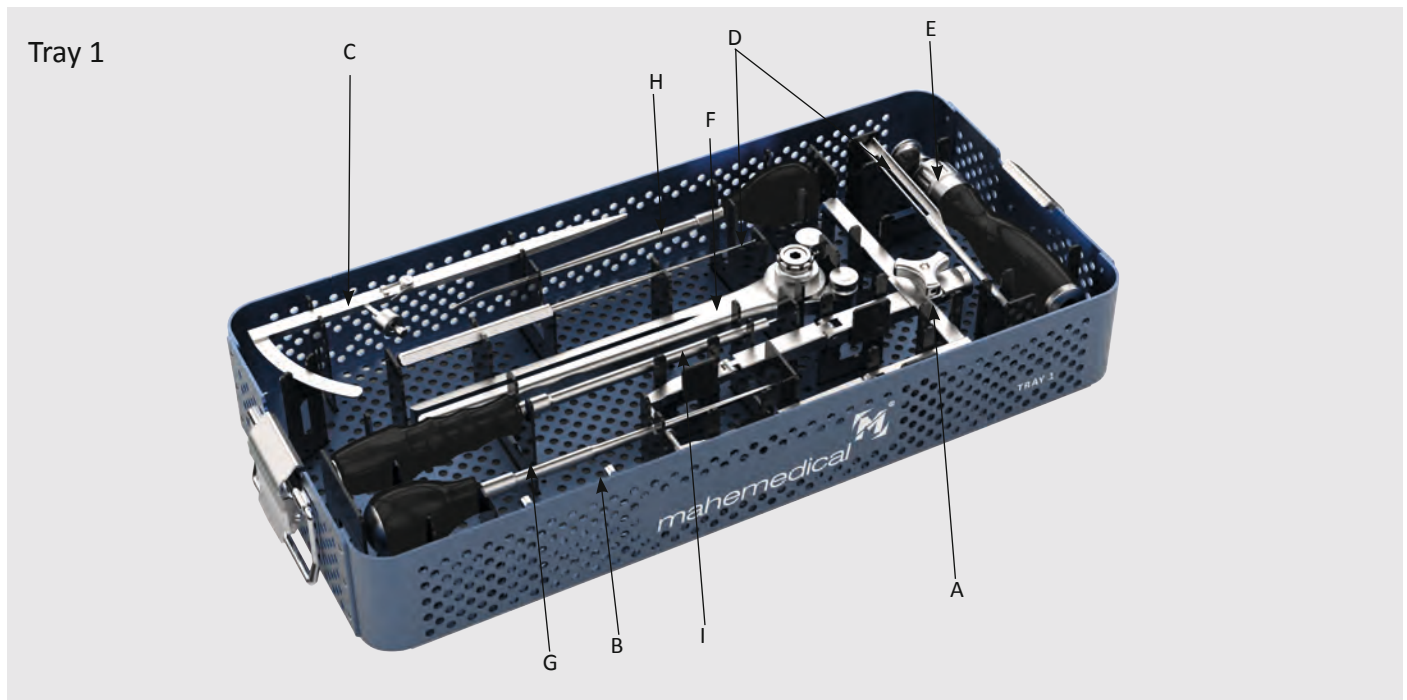
Ref. No.	Description	
■ SCC110-0951S	Pedicle screw driver, polyaxial, cann., short	
■ SCC110-0951C	Pedicle screw driver, polyaxial, cann., long	
■ SCC110-0851C	Mono reduction screw driver shaft, cannulated	
Ref. No.	Description	
■ SCC110-2415	Set screw driver, long (f. torque limited handle)	
■ SCC110-2425	Set screw driver, medium (f. torque limited handle)	
Ref. No.	Description	
■ SCC110-0961	Hex. screw driver f. cross links	
Ref. No.	Description	
■ SCC110-3311	Hex wrench f. cross links	
Ref. No.	Description	
■ SCC110-1212	Rod holder, 6 mm w. ring handle	
Ref. No.	Description	
■ SCC110-1410	Tulip breaker	
Ref. No.	Description	
■ SCC110-1520	French bender	

INSTRUMENTS

<u>Ref. No.</u>	<u>Description</u>	
■ SCC110-1711	Rod pusher	
■ SCC110-1810	Persuader fork (2 parts)	
■ SCC110-2911	Counter-torque, short	
■ SCC110-2912	Counter-torque, long	
■ SCC110-1920	Persuader (repositions-length 35 mm)	
■ SCC110-2812	Distractor	
■ SCC110-2712	Compressor	

INSTRUMENT TRAY FOR PEDICULAR SCREWS - TRAY 1 OF 4

Ref. No.: SET-SCC110-0001

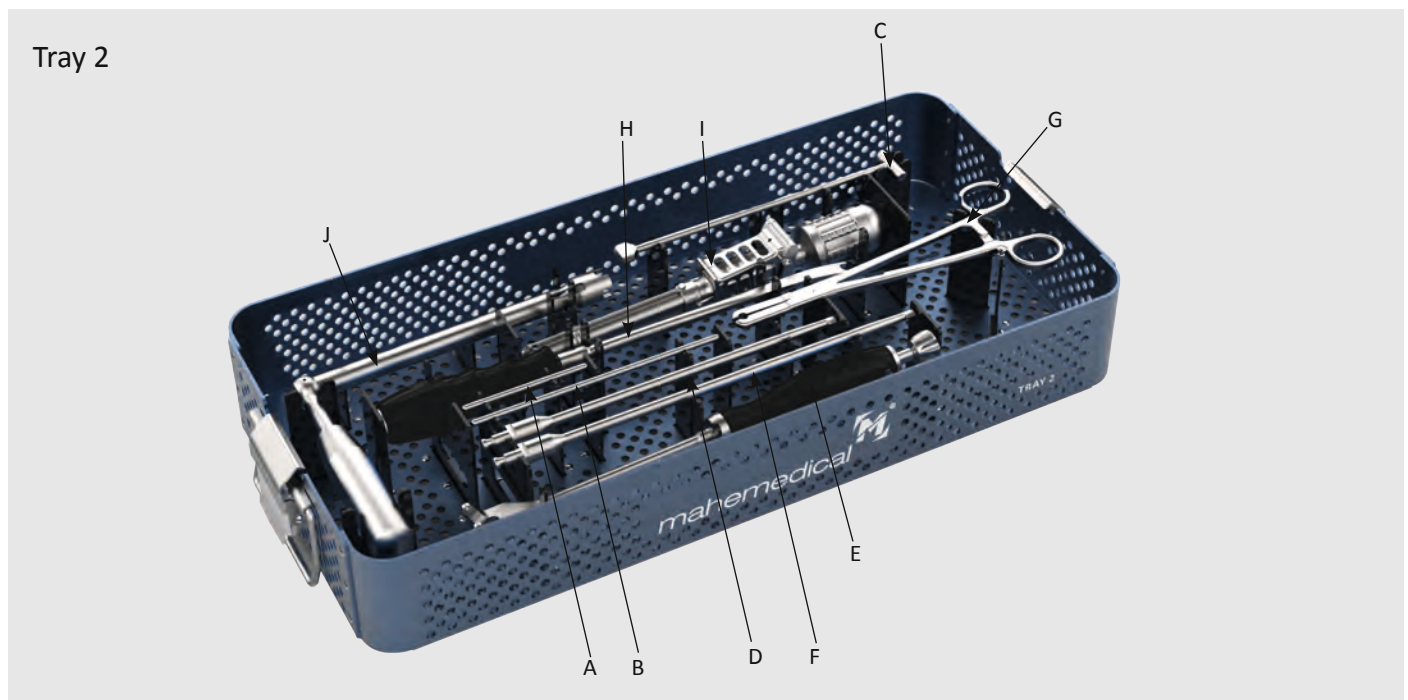


<u>Ref. No.</u>	<u>Description</u>		<u>Quantity</u>
SCC110-3011	Spreader f. pedicle screws	(A)	1
SCC110-0120	Guide pin, 100 mm w. stop	(B)	2
SCC110-4000	Caliper, 0-120 mm	(C)	1
SCC110-0410	tester (2 parts)	(D)	1
SCC110-0642CR	I-handle w. ratchet, cann. standard, Hudson-coupling	(E)	1
SCC110-1520	French bender	(F)	1
SCC110-0311	Pedicle probe, straight	(G)	1
SCC110-0321	Pedicle probe, curved	(H)	1
SCC110-0211	Bone awl	(I)	1
SCC110-0001	Instrument Tray 1, 535x245x100 mm, w. lid		1



INSTRUMENT TRAY FOR PEDICULAR SCREWS - 2 OF 4

Ref. No.: SET-SCC110-0002

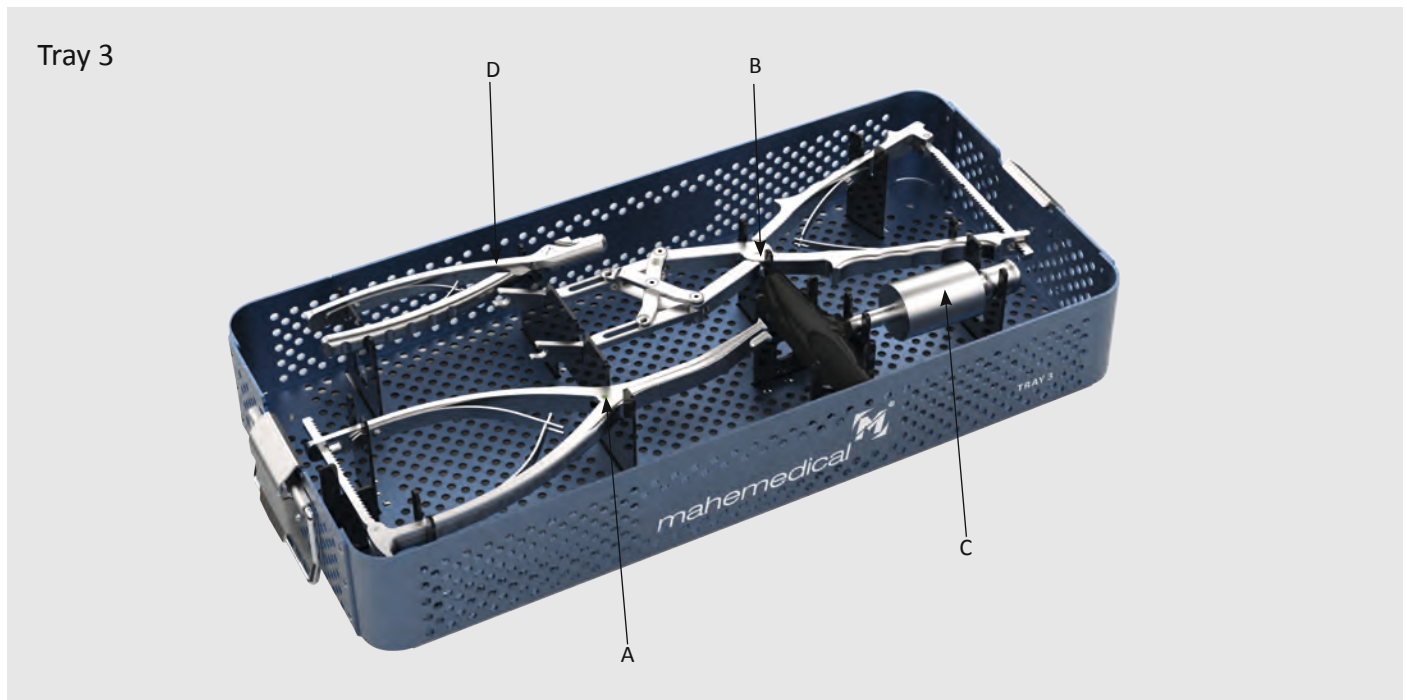


<u>Ref. No.</u>	<u>Description</u>		<u>Quantity</u>
RT-1-0001	Rod template, flexible, 4/80 mm	(A)	1
RT-1-0002	Rod template, flexibel, 4/160 mm	(B)	1
SCC110-0205	Tulip positioner	(C)	1
SCC110-2425	Set screw driver, medium (f. torque limited handle)	(D)	1
SCC110-1810	Persuader fork (2 parts)	(E)	1
SCC110-2415	Set screw driver, long (f. torque limited handle)	(F)	1
SCC110-1212	Rod holder, 6 mm w. ring handle	(G)	1
SCC110-1711	Rod pusher	(H)	1
SCC110-1920	Persuader (repositions-length 35 mm)	(I)	1
SCC110-2912	Counter-torque, long	(J)	1
SCC110-0002	Instrument Tray 2, 535x245x100 mm, w. lid		1



INSTRUMENT TRAY FOR PEDICULAR SCREWS - 3 OF 4

Ref. No.: SET-SCC110-0003

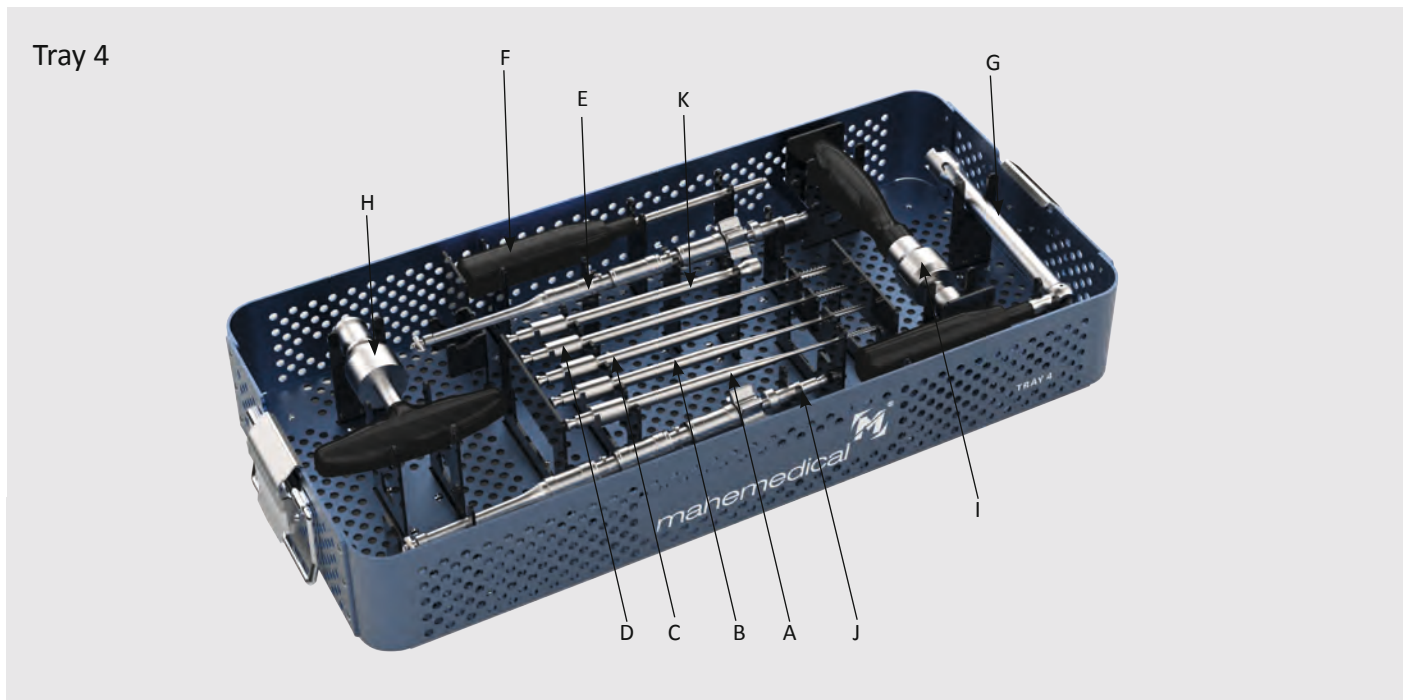


<u>Ref. No.</u>	<u>Description</u>		<u>Quantity</u>
SCC110-2812	Distractor	(A)	1
SCC110-2712	Compressor	(B)	1
SCC110-2441	Torque wrench w. t-handle, 12Nm	(C)	1
SCC110-1410	Tulip breaker	(D)	1
SCC110-0003	Instrument Tray 3, 535x245x100 mm, w. lid		1



INSTRUMENT TRAY FOR PEDICULAR SCREWS - 4 OF 4

Ref. No.: SET-SCC110-0004

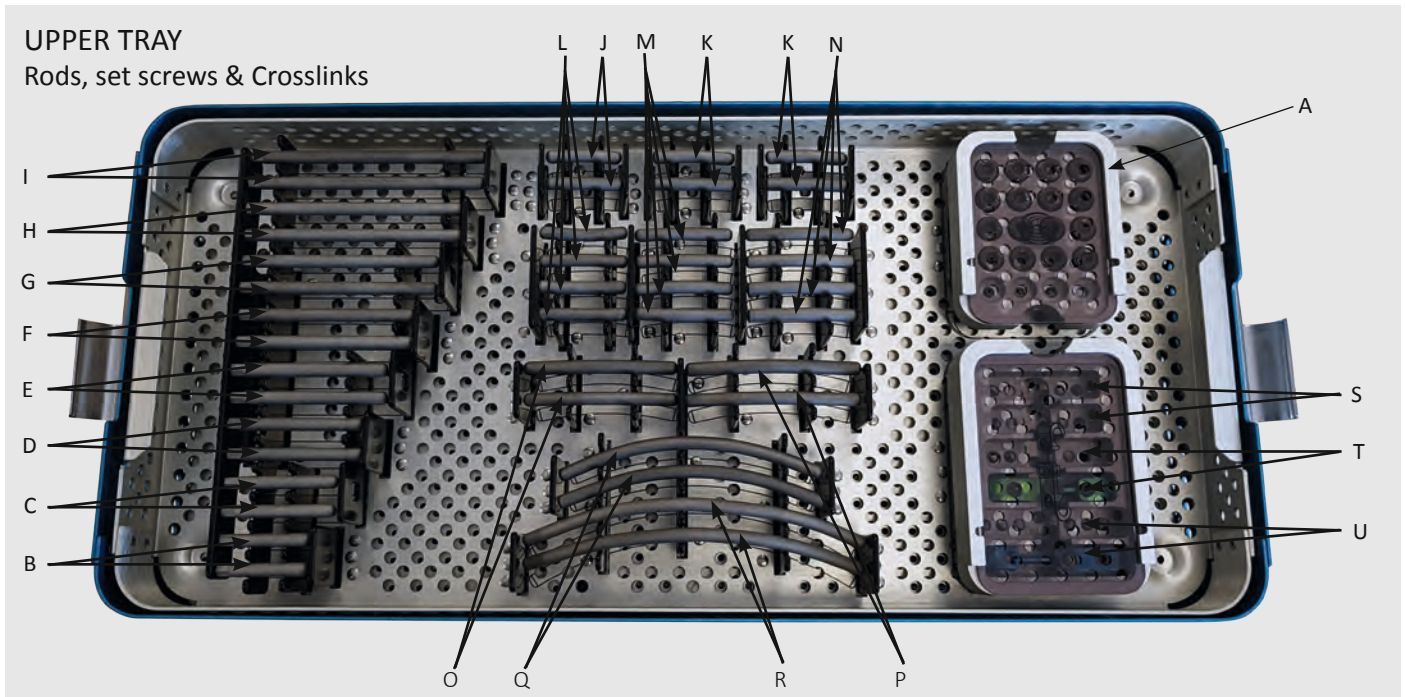


<u>Ref. No.</u>	<u>Description</u>		<u>Quantity</u>
SCC110-0540	Tap, \varnothing 4.5 mm	(A)	1
SCC110-0550C	Tap cannulated, \varnothing 5.5 mm	(B)	1
SCC110-0560C	Tap cannulated, \varnothing 6.5 mm	(C)	1
SCC110-0570C	Tap cannulated, \varnothing 7.5 mm	(D)	1
SCC110-0851C	Mono reduction screw driver shaft, cannulated	(E)	1
SCC110-0961	Hex. screw driver f. cross links	(F)	1
SCC110-2911	Counter-torque, short	(G)	1
SCC110-0620CR	T-handle w. ratchet, cann., Hudson coupling	(H)	1
SCC110-0640CR	I-handle w. ratchet, cann., small, hudson coupling	(I)	1
SCC110-0951C	Pedicle screw driver, polyaxial, cann., long	(J)	1
SCC110-3311	Hex wrench f. cross links	(K)	1
SCC110-0004	Instrument Tray 4, 535x245x100 mm, w. lid		1



INSTRUMENT TRAY FOR PEDICULAR SCREWS & RODS

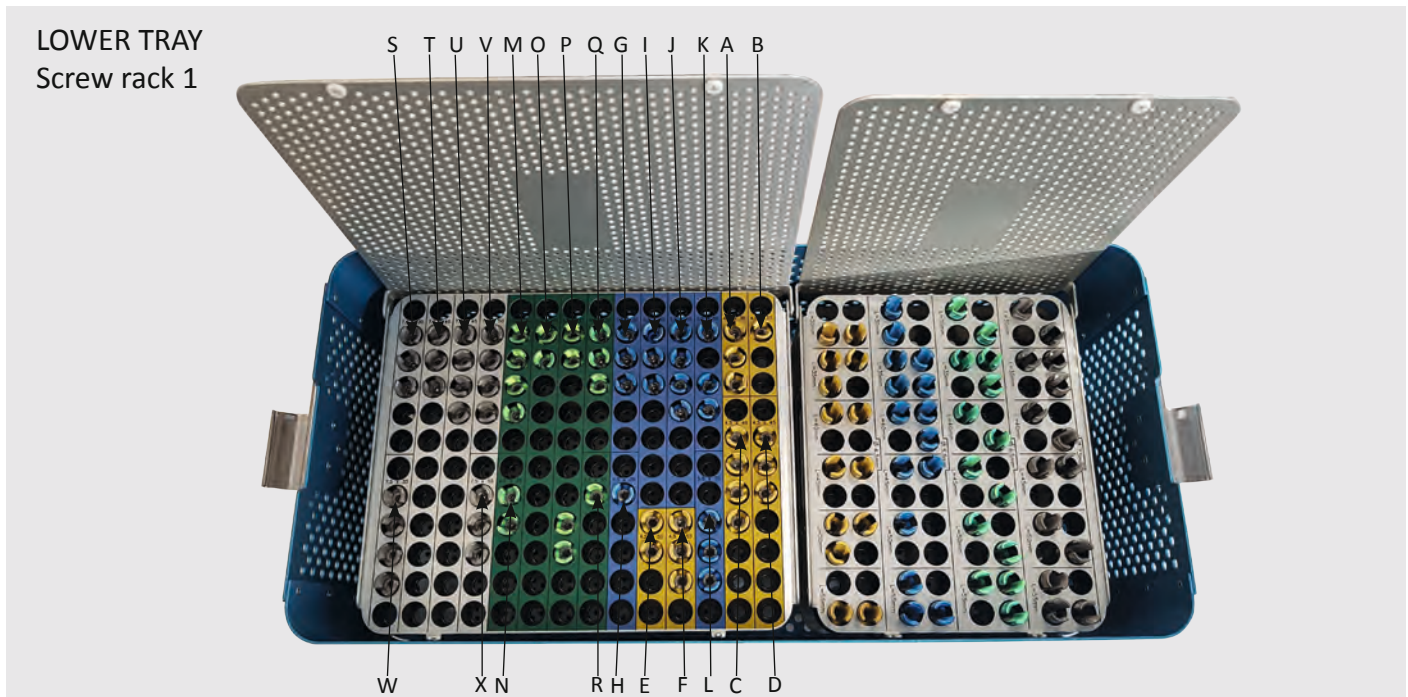
Ref. No.: SET-SCC110-01010 (SET configuration page 39 - 41)



<u>Ref. No.</u>	<u>Description</u>		<u>Quantity</u>
CHM01-10	Set screw w. plate f. polyaxial screws	(A)	20
SCC02-0040	TI rod 6x40 mm	(B)	2
SCC02-0050	TI rod 6x50 mm	(C)	2
SCC02-0060	TI rod 6x60 mm	(D)	2
SCC02-0070	TI rod 6x70 mm	(E)	2
SCC02-0080	TI rod 6x80 mm	(F)	2
SCC02-0090	TI rod 6x90 mm	(G)	2
SCC02-0100	TI rod 6x100 mm	(H)	2
SCC02-0110	TI rod 6x110 mm	(I)	2
SCC03-0035	TI rod 6x35 mm cvd.	(J)	2
SCC03-0040	TI rod 6x40 mm cvd.	(K)	4
SCC03-0045	TI rod 6x45 mm cvd.	(L)	4
SCC03-0050	TI rod 6x50 mm cvd.	(M)	4
SCC03-0060	TI rod 6x60 mm cvd.	(N)	4
SCC03-0070	TI rod 6x70 mm cvd.	(O)	2
SCC03-0080	TI rod 6x80 mm cvd.	(P)	2
SCC03-0120	TI rod 6x120 mm cvd.	(Q)	2
SCC03-0160	TI rod 6x160 mm cvd.	(R)	2
SCC0120-0035	Cross Links 35 mm	(S)	2
SCC0120-0042	Cross Links 42 mm	(T)	2
SCC0120-0050	Cross Links 50 mm	(U)	2

INSTRUMENT TRAY FOR PEDICULAR SCREWS & RODS

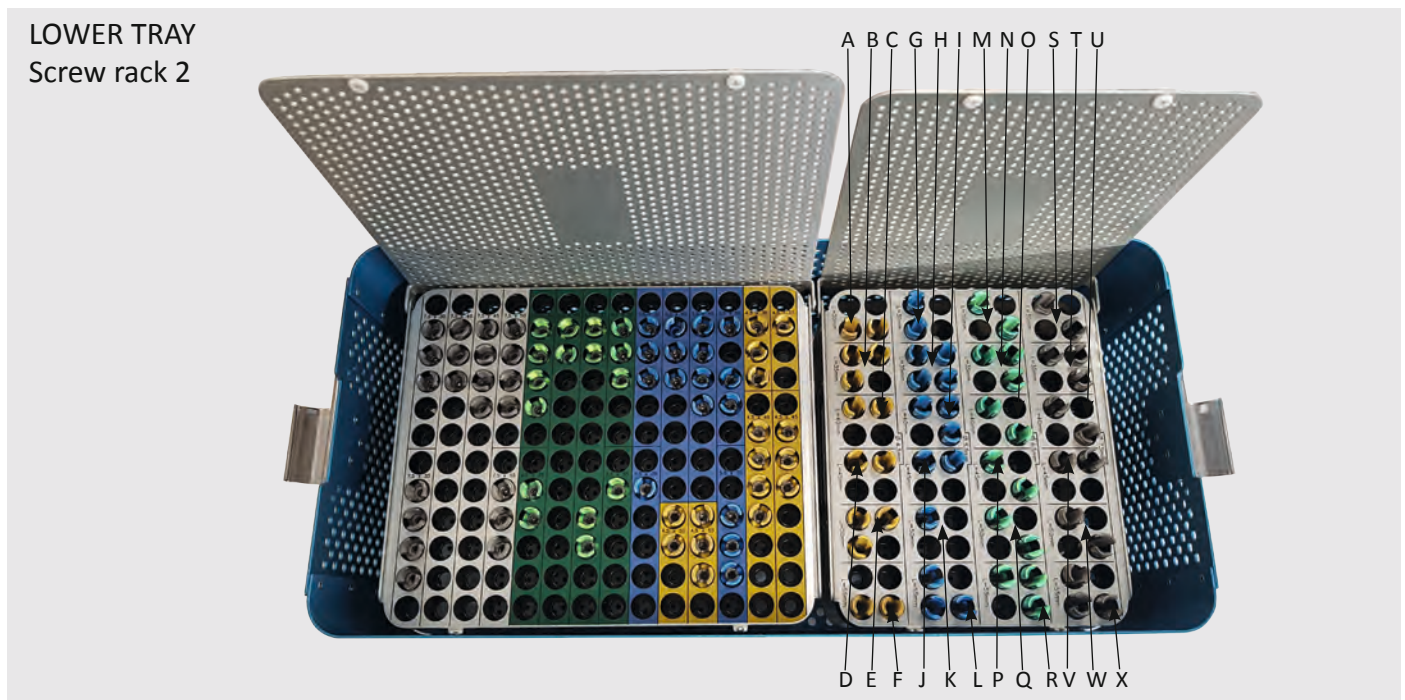
Ref. No.: SET-SCC110-01010 (SET configuration page 39 - 41)



Ref. No.	Description		Quantity
PSS08-4530	Polyaxial screw, w/o cannulation, 4.5 mm/30 mm	(A)	4
PSS08-4535	Polyaxial screw, w/o cannulation, 4.5 mm/35 mm	(B)	4
PSS08-4540	Polyaxial screw, w/o cannulation, 4.5 mm/40 mm	(C)	8
PSS08-4545	Polyaxial screw, w/o cannulation, 4.5 mm/45 mm	(D)	8
PSS08-4550	Polyaxial screw, w/o cannulation, 4.5 mm/50 mm	(E)	4
PSS08-4555	Polyaxial screw, w/o cannulation, 4.5 mm/55 mm	(F)	4
PSS09-5530	Polyaxial screw, w/o cannulation, 5.5 mm/30 mm	(G)	4
PSS09-5535	Polyaxial screw, w/o cannulation, 5.5 mm/35 mm	(H)	6
PSS09-5540	Polyaxial screw, w/o cannulation, 5.5 mm/40 mm	(I)	8
PSS09-5545	Polyaxial screw, w/o cannulation, 5.5 mm/45 mm	(J)	8
PSS09-5550	Polyaxial screw, w/o cannulation, 5.5 mm/50 mm	(K)	6
PSS09-5555	Polyaxial screw, w/o cannulation, 5.5 mm/55 mm	(L)	4
PSS10-6530	Polyaxial screw, w/o cannulation, 6.5 mm/30 mm	(M)	4
PSS10-6535	Polyaxial screw, w/o cannulation, 6.5 mm/35 mm	(N)	6
PSS10-6540	Polyaxial screw, w/o cannulation, 6.5 mm/40 mm	(O)	10
PSS10-6545	Polyaxial screw, w/o cannulation, 6.5 mm/45 mm	(P)	10
PSS10-6550	Polyaxial screw, w/o cannulation, 6.5 mm/50 mm	(Q)	6
PSS10-6555	Polyaxial screw, w/o cannulation, 6.5 mm/55 mm	(R)	6
PSS11-7530	Polyaxial screw, w/o cannulation, 7.5 mm/30 mm	(S)	4
PSS11-7535	Polyaxial screw, w/o cannulation, 7.5 mm/35 mm	(T)	6
PSS11-7540	Polyaxial screw, w/o cannulation, 7.5 mm/40mm	(U)	10
PSS11-7545	Polyaxial screw, w/o cannulation, 7.5 mm/45 mm	(V)	10
PSS11-7550	Polyaxial screw, w/o cannulation, 7.5 mm/50 mm	(W)	6
PSS11-7555	Polyaxial screw, w/o cannulation, 7.5 mm/55 mm	(X)	6

INSTRUMENT TRAY FOR PEDICULAR SCREWS & RODS

Ref. No.: SET-SCC110-01010 (SET configuration page 39 - 41)



<u>Ref. No.</u>	<u>Description</u>		<u>Quantity</u>
PSR08-4530	Polyaxial screw reduct., w/o cannulation, 4.5mm/30mm	(A)	4
PSR08-4535	Polyaxial screw reduct., w/o cannulation, 4.5mm/35mm	(B)	4
PSR08-4540	Polyaxial screw reduct., w/o cannulation, 4.5mm/40mm	(C)	4
PSR08-4545	Polyaxial screw reduct., w/o cannulation, 4.5mm/45mm	(D)	4
PSR08-4550	Polyaxial screw reduct., w/o cannulation, 4.5mm/50mm	(E)	4
PSR08-4555	Polyaxial screw reduct., w/o cannulation, 4.5mm/55mm	(F)	4
PSR09-5530	Polyaxial screw reduct., w/o cannulation, 5.5mm/30mm	(G)	4
PSR09-5535	Polyaxial screw reduct., w/o cannulation, 5.5mm/35mm	(H)	4
PSR09-5540	Polyaxial screw reduct., w/o cannulation, 5.5mm/40mm	(I)	4
PSR09-5545	Polyaxial screw reduct., w/o cannulation, 5.5mm/45mm	(J)	4
PSR09-5550	Polyaxial screw reduct., w/o cannulation, 5.5mm/50mm	(K)	4
PSR09-5555	Polyaxial screw reduct., w/o cannulation, 5.5mm/55mm	(L)	4
PSR10-6530	Polyaxial screw reduct., w/o cannulation, 6.5mm/30mm	(M)	4
PSR10-6535	Polyaxial screw reduct., w/o cannulation, 6.5mm/35mm	(N)	4
PSR10-6540	Polyaxial screw reduct., w/o cannulation, 6.5mm/40mm	(O)	4
PSR10-6545	Polyaxial screw reduct., w/o cannulation, 6.5mm/45mm	(P)	4
PSR10-6550	Polyaxial screw reduct., w/o cannulation, 6.5mm/50mm	(Q)	4
PSR10-6555	Polyaxial screw reduct., w/o cannulation, 6.5mm/55mm	(R)	4
PSR11-7530	Polyaxial screw reduct., w/o cannulation, 7.5mm/30mm	(S)	4
PSR11-7535	Polyaxial screw reduct., w/o cannulation, 7.5mm/35mm	(T)	4
PSR11-7540	Polyaxial screw reduct., w/o cannulation, 7.5mm/40mm	(U)	4
PSR11-7545	Polyaxial screw reduct., w/o cannulation, 7.5mm/45mm	(V)	4
PSR11-7550	Polyaxial screw reduct., w/o cannulation, 7.5mm/50mm	(W)	4
PSR11-7555	Polyaxial screw reduct., w/o cannulation, 7.5mm/55mm	(X)	4
SCC110-01010	Container f. PedScrew implants, 535 x 245 x 170 mm		1



All rights reserved.

Reproduction, also by extracting and reproducing photos are only permitted with written authorization of **athon surgical co.**

All offers, orders and deliveries are subject to athon surgical co "General Sales and Delivery Terms".

We reserve the right to modify our range of products and their design as well as to deviate from the illustrations and data shown.

athon surgical co