



MADE IN GERMANY

FSpine Pedicle Screw System

Version S 2.1.3



Head Quarter

AF-Medical GmbH
Pfaffenhäule 60 DE-78224 Singen

Sales Branch

AF-Medical GmbH
Byk-Gulden-Str.18 DE-78224 Singen
P +49 7731 144350 F +49 7731 1443569
info@af-ortho.com . www.af-ortho.com





Topload Spinal Fixation System

We provide a comprehensive range of highest quality spine systems consisting of instruments and implants for the most common applications in cervical, lumbar and thoracic fusion surgery. The products are carefully designed in order to optimize the best possible result of the surgery. In order to ensure a consistent high quality standard high grade raw materials are processed by state-of-the-art technologies.

The spinal pedicle screw system is consisting of polyaxial and monoaxial pedicle screws, rods, set screws, hooks and crosslinks. It is a preassembled top-loading system for posterior stabilization of the Thoracolumbar spine. That system provides three dimensional adjustability for stable and simple construct assembly. The pedicle screws are featuring a low profile head in combination with a unique thread design. A safe and stable spinal fixation can be therefore achieved.

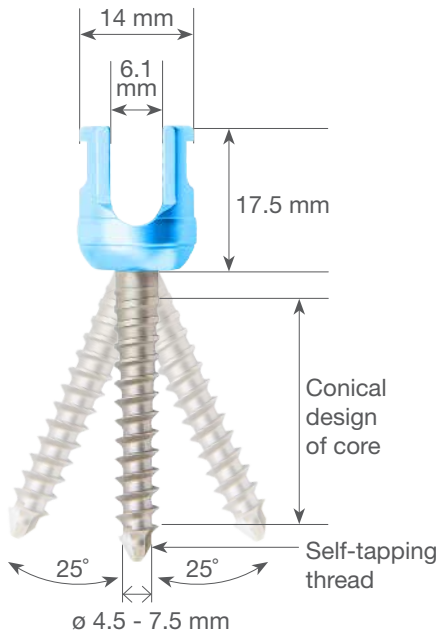
The main objective of the adapted spine instrumentation is to provide the best assistance in user friendly handling to the surgeons. Simple design in combination with optimal matching to the pedicle screws.



Key features

- low profile design
- simple set screw insertion
- unique thread design
- top-loading
- color coded
- high pull-out strength
- user friendly instrumentation

PPS Polyaxial pedicle screw

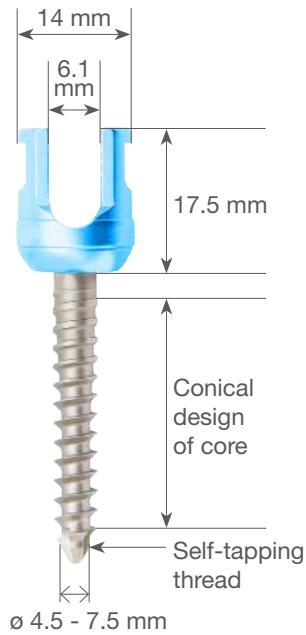


Key features

- low profile design
- simple set screw insertion
- unique thread design
- top-loading
- color coded
- high pull-out strength
- user friendly instrumentation

Code-No	\varnothing	Length	Material	Colour code
70-02100	4,5 mm	25 mm	Titanium	Yellow
70-02102	4,5 mm	30 mm	Titanium	Yellow
70-02104	4,5 mm	35 mm	Titanium	Yellow
70-02106	4,5 mm	40 mm	Titanium	Yellow
70-02106-2	4,5 mm	45 mm	Titanium	Yellow
70-02107	5,5 mm	25 mm	Titanium	Blue
70-02107-2	5,5 mm	30 mm	Titanium	Blue
70-02108	5,5 mm	35 mm	Titanium	Blue
70-02110	5,5 mm	40 mm	Titanium	Blue
70-02112	5,5 mm	45 mm	Titanium	Blue
70-02114	5,5 mm	50 mm	Titanium	Blue
70-02114-2	5,5 mm	55 mm	Titanium	Blue
70-02114-4	5,5 mm	60 mm	Titanium	Blue
70-02115	6,5 mm	25 mm	Titanium	Green
70-02115-2	6,5 mm	30 mm	Titanium	Green
70-02116	6,5 mm	35 mm	Titanium	Green
70-02118	6,5 mm	40 mm	Titanium	Green
70-02120	6,5 mm	45 mm	Titanium	Green
70-02122	6,5 mm	50 mm	Titanium	Green
70-02124	6,5 mm	55 mm	Titanium	Green
70-02124-2	6,5 mm	60 mm	Titanium	Green
70-02125	7,5 mm	25 mm	Titanium	Grey
70-02125-2	7,5 mm	30 mm	Titanium	Grey
70-02126	7,5 mm	35 mm	Titanium	Grey
70-02128	7,5 mm	40 mm	Titanium	Grey
70-02130	7,5 mm	45 mm	Titanium	Grey
70-02132	7,5 mm	50 mm	Titanium	Grey
70-02132-2	7,5 mm	55 mm	Titanium	Grey
70-02132-4	7,5 mm	60 mm	Titanium	Grey

MPS Monoaxial pedicle screw

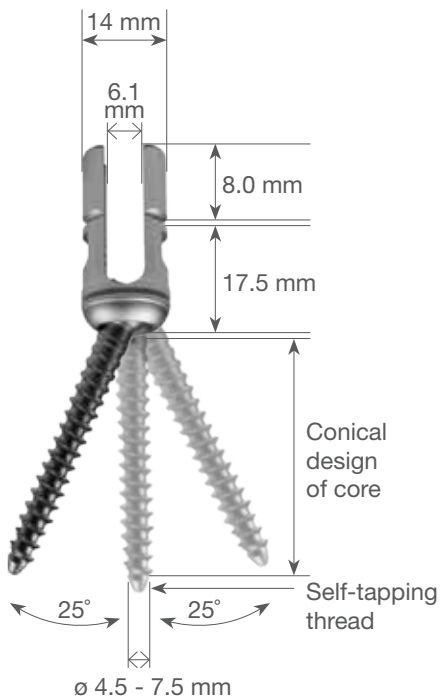


Key features

- low profile design
- simple set screw insertion
- unique thread design
- top-loading
- color coded
- high pull-out strength
- user friendly instrumentation

Code-No	ø	Length	Material	Colour code
70-04100	4,5 mm	25 mm	Titanium	Yellow
70-04102	4,5 mm	30 mm	Titanium	Yellow
70-04104	4,5 mm	35 mm	Titanium	Yellow
70-04106	4,5 mm	40 mm	Titanium	Yellow
70-04106-2	4,5 mm	45 mm	Titanium	Yellow
70-04107	5,5 mm	25 mm	Titanium	Blue
70-04107-2	5,5 mm	30 mm	Titanium	Blue
70-04108	5,5 mm	35 mm	Titanium	Blue
70-04110	5,5 mm	40 mm	Titanium	Blue
70-04112	5,5 mm	45 mm	Titanium	Blue
70-04114	5,5 mm	50 mm	Titanium	Blue
70-04114-2	5,5 mm	55 mm	Titanium	Blue
70-04114-4	5,5 mm	60 mm	Titanium	Blue
70-04115	6,5 mm	25 mm	Titanium	Green
70-04115-2	6,5 mm	30 mm	Titanium	Green
70-04116	6,5 mm	35 mm	Titanium	Green
70-04118	6,5 mm	40 mm	Titanium	Green
70-04120	6,5 mm	45 mm	Titanium	Green
70-04122	6,5 mm	50 mm	Titanium	Green
70-04124	6,5 mm	55 mm	Titanium	Green
70-04124-2	6,5 mm	60 mm	Titanium	Green
70-04125	7,5 mm	25 mm	Titanium	Grey
70-04125-2	7,5 mm	30 mm	Titanium	Grey
70-04126	7,5 mm	35 mm	Titanium	Grey
70-04128	7,5 mm	40 mm	Titanium	Grey
70-04130	7,5 mm	45 mm	Titanium	Grey
70-04132	7,5 mm	50 mm	Titanium	Grey
70-04134	7,5 mm	55 mm	Titanium	Grey
70-04134-2	7,5 mm	60 mm	Titanium	Grey

PRS Polyaxial reduction screw

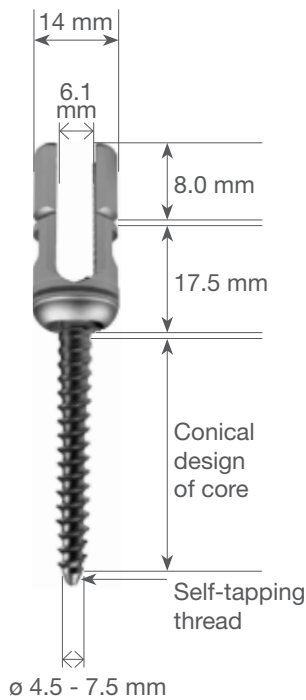


Key features

- low profile design
- simple set screw insertion
- unique thread design
- top-loading
- color coded
- high pull-out strength
- user friendly instrumentation

Code-No	ø	Length	Material	Colour code
70-08100	4,5 mm	25 mm	Titanium	Yellow
70-08102	4,5 mm	30 mm	Titanium	Yellow
70-08104	4,5 mm	35 mm	Titanium	Yellow
70-08106	4,5 mm	40 mm	Titanium	Yellow
70-08106-2	4,5 mm	45 mm	Titanium	Yellow
70-08107	5,5 mm	25 mm	Titanium	Blue
70-08107-2	5,5 mm	30 mm	Titanium	Blue
70-08108	5,5 mm	35 mm	Titanium	Blue
70-08110	5,5 mm	40 mm	Titanium	Blue
70-08112	5,5 mm	45 mm	Titanium	Blue
70-08114	5,5 mm	50 mm	Titanium	Blue
70-08114-2	5,5 mm	55 mm	Titanium	Blue
70-08114-4	5,5 mm	60 mm	Titanium	Blue
70-08115	6,5 mm	25 mm	Titanium	Green
70-08115-2	6,5 mm	30 mm	Titanium	Green
70-08116	6,5 mm	35 mm	Titanium	Green
70-08118	6,5 mm	40 mm	Titanium	Green
70-08120	6,5 mm	45 mm	Titanium	Green
70-08122	6,5 mm	50 mm	Titanium	Green
70-08124	6,5 mm	55 mm	Titanium	Green
70-08124-2	6,5 mm	60 mm	Titanium	Green
70-08125	7,5 mm	25 mm	Titanium	Grey
70-08125-2	7,5 mm	30 mm	Titanium	Grey
70-08126	7,5 mm	35 mm	Titanium	Grey
70-08128	7,5 mm	40 mm	Titanium	Grey
70-08130	7,5 mm	45 mm	Titanium	Grey
70-08132	7,5 mm	50 mm	Titanium	Grey
70-08132-2	7,5 mm	55 mm	Titanium	Grey
70-08132-4	7,5 mm	60 mm	Titanium	Grey

MRS Monoaxial reduction screw



Key features

- low profile design
- simple set screw insertion
- unique thread design
- top-loading
- color coded
- high pull-out strength
- user friendly instrumentation

Code-No	ø	Length	Material	Colour code
70-06100	4,5 mm	25 mm	Titanium	Yellow
70-06102	4,5 mm	30 mm	Titanium	Yellow
70-06104	4,5 mm	35 mm	Titanium	Yellow
70-06106	4,5 mm	40 mm	Titanium	Yellow
70-06106-2	4,5 mm	45 mm	Titanium	Yellow
70-06107	5,5 mm	25 mm	Titanium	Blue
70-06107-2	5,5 mm	30 mm	Titanium	Blue
70-06108	5,5 mm	35 mm	Titanium	Blue
70-06110	5,5 mm	40 mm	Titanium	Blue
70-06112	5,5 mm	45 mm	Titanium	Blue
70-06114	5,5 mm	50 mm	Titanium	Blue
70-06114-2	5,5 mm	55 mm	Titanium	Blue
70-06114-4	5,5 mm	60 mm	Titanium	Blue
70-06115	6,5 mm	25 mm	Titanium	Green
70-06115-2	6,5 mm	30 mm	Titanium	Green
70-06116	6,5 mm	35 mm	Titanium	Green
70-06118	6,5 mm	40 mm	Titanium	Green
70-06120	6,5 mm	45 mm	Titanium	Green
70-06122	6,5 mm	50 mm	Titanium	Green
70-06124	6,5 mm	55 mm	Titanium	Green
70-06124-2	6,5 mm	60 mm	Titanium	Green
70-06125	7,5 mm	25 mm	Titanium	Grey
70-06125-2	7,5 mm	30 mm	Titanium	Grey
70-06126	7,5 mm	35 mm	Titanium	Grey
70-06128	7,5 mm	40 mm	Titanium	Grey
70-06130	7,5 mm	45 mm	Titanium	Grey
70-06132	7,5 mm	50 mm	Titanium	Grey
70-06132-2	7,5 mm	55 mm	Titanium	Grey
70-06132-4	7,5 mm	60 mm	Titanium	Grey



Rod



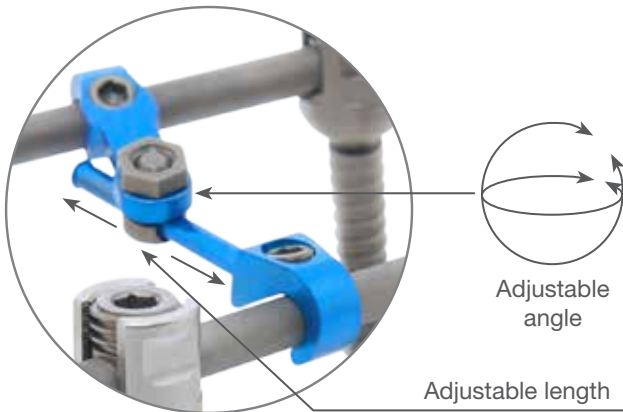
Code-No	ø	Length	Material
70-34098	6.0 mm	40 mm	Titanium
70-34100	6.0 mm	45 mm	Titanium
70-34101	6.0 mm	50 mm	Titanium
70-34102	6.0 mm	55 mm	Titanium
70-34103	6.0 mm	60 mm	Titanium
70-34104	6.0 mm	65 mm	Titanium
70-34105	6.0 mm	70 mm	Titanium
70-34106	6.0 mm	75 mm	Titanium
70-34107	6.0 mm	80 mm	Titanium
70-34108	6.0 mm	85 mm	Titanium
70-34109	6.0 mm	90 mm	Titanium
70-34110	6.0 mm	95 mm	Titanium
70-34111	6.0 mm	100 mm	Titanium
70-34112	6.0 mm	110 mm	Titanium
70-34114	6.0 mm	120 mm	Titanium
70-34116	6.0 mm	130 mm	Titanium
70-34118	6.0 mm	140 mm	Titanium
70-34120	6.0 mm	150 mm	Titanium
70-34122	6.0 mm	160 mm	Titanium
70-34124	6.0 mm	170 mm	Titanium
70-34126	6.0 mm	180 mm	Titanium
70-34128	6.0 mm	190 mm	Titanium
70-34130	6.0 mm	200 mm	Titanium
70-34132	6.0 mm	210 mm	Titanium
70-34133	6.0 mm	220 mm	Titanium
70-34134	6.0 mm	230 mm	Titanium
70-34136	6.0 mm	460 mm	Titanium
70-34138	6.0 mm	600 mm	Titanium

Rod curved



Code-No	ø	Length	Material
70-34150	6.0 mm	45 mm	Titanium
70-34152	6.0 mm	55 mm	Titanium
70-34154	6.0 mm	65 mm	Titanium
70-34156	6.0 mm	75 mm	Titanium
70-34158	6.0 mm	85 mm	Titanium

Crosslink

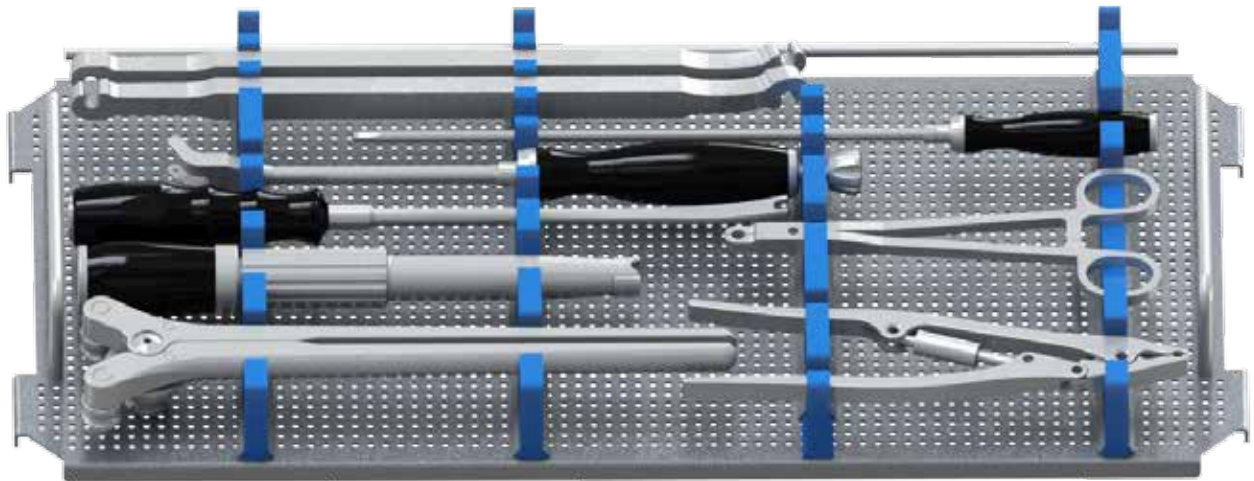


Code-No	Length	Material
70-34180	35 mm	Titanium
70-34182	42 mm	Titanium
70-34184	50 mm	Titanium

Set screw

Code-No	ø	Material
70-20136	10.5 mm	Titanium





Instrumentation

The main objective of the adapted spine instrumentation is to provide the best assistance in user friendly handling for the surgeons. User friendly design in combination with optimal match to the pedicle screws.

Spinal instrument set, complete
S72-0000

Code-No	Description	Remarks	Qty
20-2000	Outer sterilization case, perforated, with lid		1
72-0020	Spinal instrument tray 1		1
72-0112	Pedicular Awl		1
72-0114	Pedicle sounder		1
72-0015	Pedicle marker		1
72-0015-1	Pedicle marker with stop		1
72-0116	Pedicle probe curved		1
72-0116-1	Pedicle probe straight		1
72-0160	Tap 4.5 mm		1
72-0162	Tap 5.5 mm		1
72-0164	Tap 6.5 mm		1
72-0166	Tap 7.5 mm		1
72-0141	T-Handle Houdson coupling		1
72-0138	Screwdriver polyaxial		1
72-0139	Screwdriver monoaxial		1
72-0021	Spinal instrument tray 2		1
72-0090	Rod template	optional	1
72-0100	Rod rotation forceps		1
72-0101	Rod insertion forceps		1
72-0106	French Bender		1
72-0108	Bending Iron right		1
72-0110	Bending Iron left		1
72-0143-2	Set screw driver		1
72-0148-2	Rod persuader		1
72-0135	Rod Pusher		1
72-0136	Rod Fork		1
72-0022	Spinal instrument tray 3		1
72-0102	Distractor		1
72-0104	Compressor		1
72-0128	Torque wrench, 12 N/m		1
72-0130	Anti torque wrench		1
72-0132	Tab remover for reduction screws	only for reduction screws required	1
72-0143	Screwdriver shaft 3.5 mm, Hudson		1
72-0143-1	Cross link wrench, Hudson		1
72-0143-4	Screw driver hex. 3.5 for cross link		1

Spinal instrument tray 1 72-0020



Spinal instrument tray 2 72-0021



Spinal instrument tray 3 72-0022



Outer sterilization case, perforated, with lid 20-2000



Pedicle preparation

Pedicular awl

72-0112



Pedicle probe straight

72-0114



Pedicle marker

72-0015



Pedicle marker with stop

72-0015-1



Pedicle probe curved

72-0116



Pedicle probe straight

72-0116-1



T-Handle Silicone, Hudson coupling

72-0141



Taps, Hudson



Code-No	Length
72-0160	Tap 4.5 mm
72-0162	Tap 5.5 mm
72-0164	Tap 6.5 mm
72-0166	Tap 7.5 mm



Screw insertion

Screw driver polyaxial

72-0138



Screw driver monoaxial

72-0139



Rod insertion

Rod template

72-0090



French bender

72-0106



Rod rotation forceps

72-0100



In-Situ bending iron, right

72-0108



Rod insertion forceps

72-0101



In-Situ bending iron, left

72-0110



Set screw driver

72-0143-2



Rod reduction

Rod pusher

72-0135



Rod fork

72-0136



Rod persuader

72-0148-2



Rod compression and distraction

Distractor

72-0102



Compressor

72-0104



Final tightening

Torque wrench 12 N/m, Hudson

72-0128



Tab remover

72-0132



Screw driver shaft 4.5 mm, Hudson

72-0143



Anti torque wrench

72-0130



Crosslink wrench, Hudson

72-0143-1



Screw driver hex. 3.5 for cross link

72-0143-4





Head Quarter

AF-Medical GmbH
Pfaffenhäule 60 DE-78224 Singen

Sales Branch

AF-Medical GmbH
Byk-Gulden-Str.18 DE-78224 Singen
P +49 7731 144350 . F +49 7731 1443569
info@af-ortho.com . www.af-ortho.com