

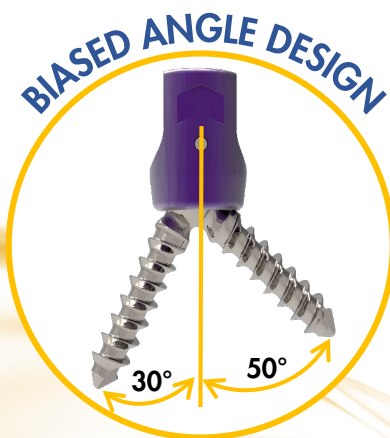
PRECISION SPINE

REFORM[®]

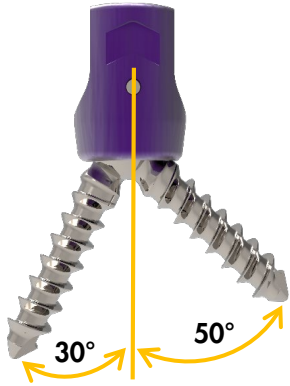
POCT SYSTEM

INNOVATIVE DESIGN

The Reform[®] POCT System is a comprehensive solution for fusion of the Occipital, Cervical and Thoracic regions of the spine. The system offers low profile, top loading polyaxial screws with friction fit heads, providing excellent angulation in all planes. In addition, a bias angle of 50° is achievable with every screw allowing ease of rod insertion with minimal contouring. Screws are available in 3.5, 4.0 & 4.5mm diameters. Smooth shank screws are also available to accommodate C1 & C2 procedures. A comprehensive offering of offsets, dominoes, rod-to-rod and tulip-to-tulip cross connectors allows for greater intraoperative flexibility. Offering two styles of occipital plates with midline fixation points ensures optimal anatomical fit. The system allows for easier occipital cervical junction connection with its total freedom tulip design requiring less rod contouring.



REFORM® POCT SYSTEM



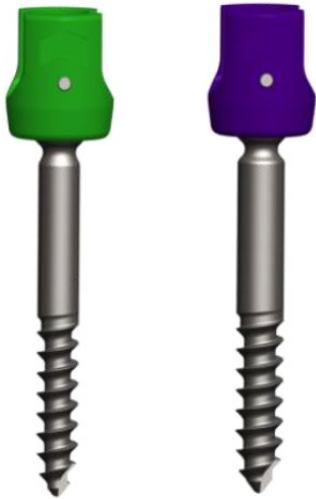
Low Profile Polyaxial Screws provide excellent angulation (30°) in all planes and a biased angle (50°) for increased intraoperative flexibility. The markings on the top of the tulip signify the direction of the bias angle.



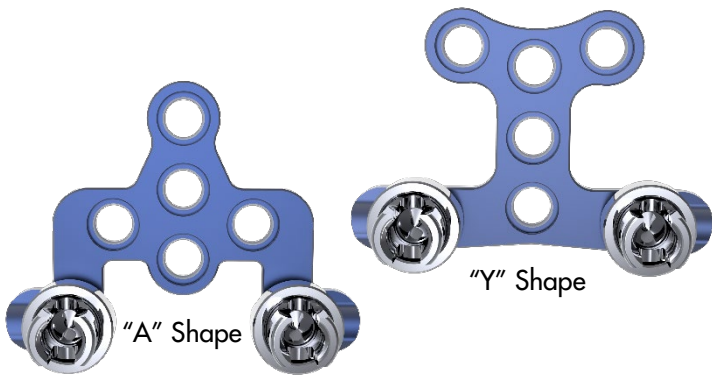
Self-tapping, Self-drilling Screws facilitate accurate and secure placement

3.5 & 4.0mm - 8-30mm (2mm inc.) & 35 & 40mm

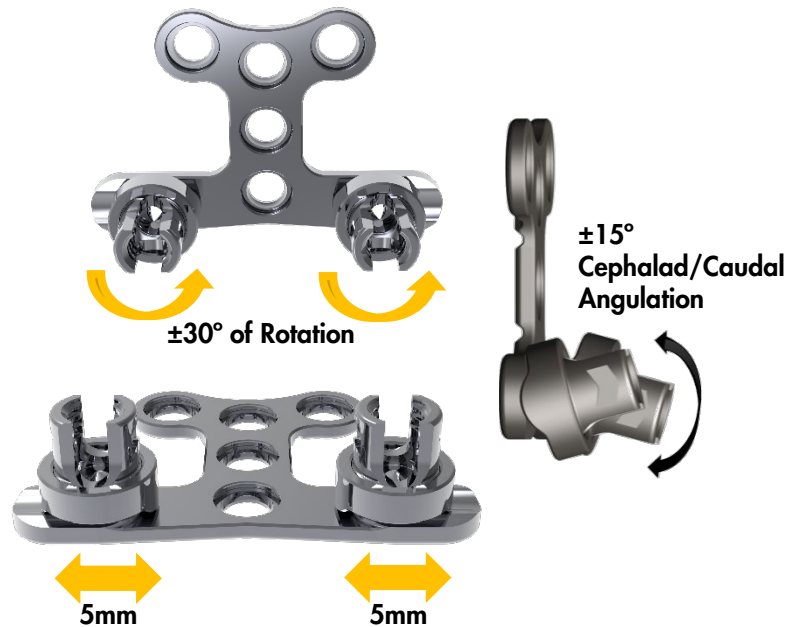
4.5mm - 20-50mm (5mm inc.) (14, 16 & 18mm Special Order)



3.5 & 4.0mm Smooth Shank Screws provide protection to neural elements. All screws have 15.6mm threads.



A & Y Shaped Plates with midline fixation provide optimal screw placement.



Total Freedom Tulip allows easier connection across the occipital cervical junction with less rod contouring.

Precision Spine, Inc.
 2050 Executive Drive, Pearl, MS 39208
 Customer Service: 1.888.241.4773
 Phone: 601.420.4244
 Toll Free: 877.780.4370
 Fax: 601.420.5501
 www.precisionspineinc.com

