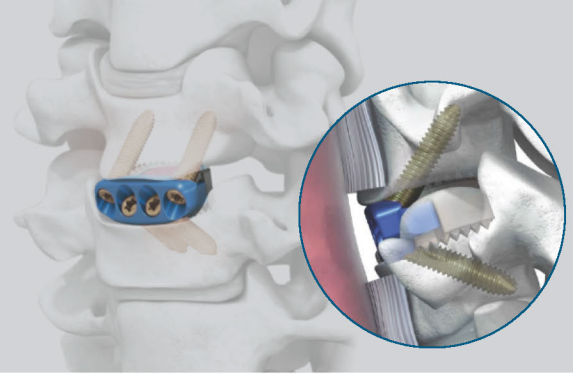


PALLAS

Low Profile Anterior Cervical Cage



PALLAS Low Profile Anterior Cervical Cage Spacer is a stand alone Implant for use in Cervical interbody fusion, which combines the functionality of a cervical interbody spacer with the benefits of an anterior Cervical Plate.

PEEK Interbody Space

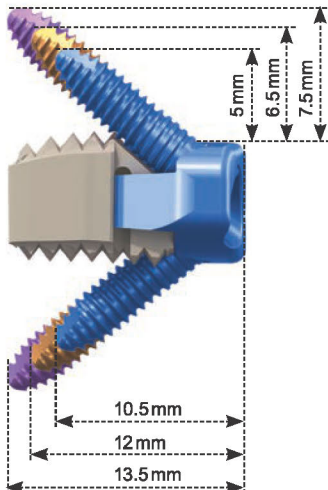
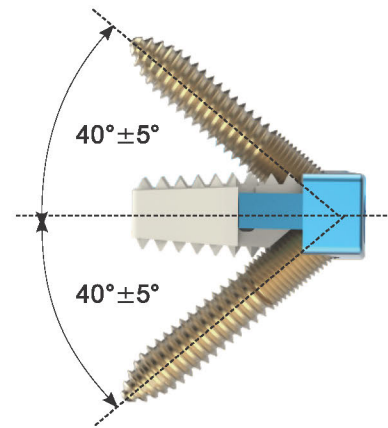
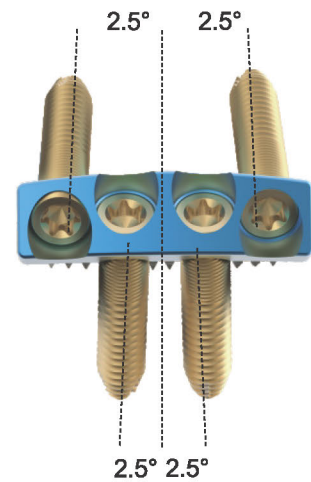
- Radiopaque marker for posterior visualization during imaging
- Spacer component is made of pure medical grade PEEK-OPTIMA (polyetheretherketone)
- Teeth on the superior and inferior implant surfaces provide initial stability

Titanium Alloy Plate Provides a secure, rigid screw locking interface

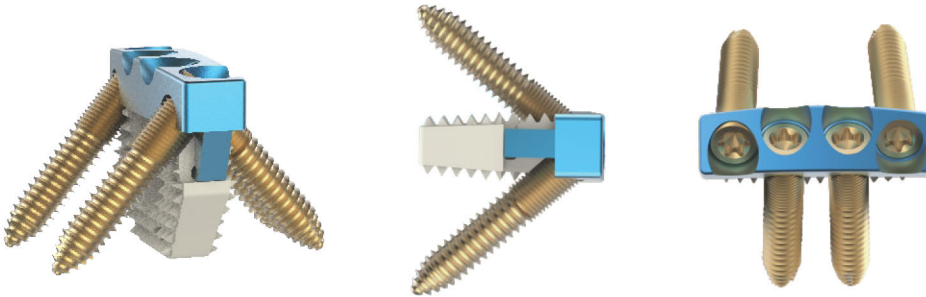
- Stresses in the plate are decoupled from the spacer through an innovative interface

Locking Head Screws

- Screws form a bone wedge with a $40^\circ \pm 5^\circ$ cranial/caudal angle and 2.5° medial/lateral angle
- One-step locking screws
- Self-tapping screw improves thread purchase
- Trilobular thread-cutting flutes are self-centering



PALLAS Low Profile Anterior Cervical Cage (Peek)



Convex

Height	Standard	Large
4mm	4-008-04	4-009-04
5mm	4-008-05	4-009-05
6mm	4-008-06	4-009-06
7mm	4-008-07	4-009-07
8mm	4-008-08	4-009-08
9mm	4-008-09	4-009-09
10mm	4-008-10	4-009-10
11mm	4-008-11	4-009-11
12mm	4-008-12	4-009-12

Lordotic

Standard	Large
4-010-04	4-011-04
4-010-05	4-011-05
4-010-06	4-011-06
4-010-07	4-011-07
4-010-08	4-011-08
4-010-09	4-011-09
4-010-10	4-011-10
4-010-11	4-011-11
4-010-12	4-011-12

Parallel

Standard	Large
4-012-04	4-013-04
4-012-05	4-013-05
4-012-06	4-013-06
4-012-07	4-013-07
4-012-08	4-013-08
4-012-09	4-013-09
4-012-10	4-013-10
4-012-11	4-013-11
4-012-12	4-013-12

available in:



Convex

Height	Standard	Large
4mm	4-008-04S	4-009-04S
5mm	4-008-05S	4-009-05S
6mm	4-008-06S	4-009-06S
7mm	4-008-07S	4-009-07S
8mm	4-008-08S	4-009-08S
9mm	4-008-09S	4-009-09S
10mm	4-008-10S	4-009-10S
11mm	4-008-11S	4-009-11S
12mm	4-008-12S	4-009-12S

Lordotic

Standard	Large
4-010-04S	4-011-04S
4-010-05S	4-011-05S
4-010-06S	4-011-06S
4-010-07S	4-011-07S
4-010-08S	4-011-08S
4-010-09S	4-011-09S
4-010-10S	4-011-10S
4-010-11S	4-011-11S
4-010-12S	4-011-12S

Parallel

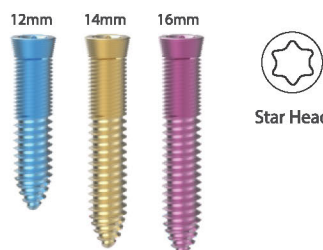
Standard	Large
4-012-04S	4-013-04S
4-012-05S	4-013-05S
4-012-06S	4-013-06S
4-012-07S	4-013-07S
4-012-08S	4-013-08S
4-012-09S	4-013-09S
4-012-10S	4-013-10S
4-012-11S	4-013-11S
4-012-12S	4-013-12S

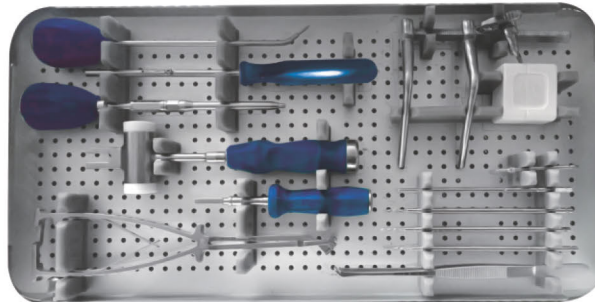
available in:



3.0 mm Titanium Cervical Spine Locking Screw

Height	Code	Colour
12mm	4-014-12TI	Blue
14mm	4-014-14TI	Gold
16mm	4-014-16TI	Purple



7-011 : PALLAS Low Profile Anterior Cervical Cage Instrument Set


Code	Product Specification	Qty.
7-011-01	Universal Wrench	1
7-011-02	Impactor	1
7-011-03	Bone Plugger	1
7-011-04	Trial,4mm	1
7-011-05	Trial,5mm	1
7-011-06	Trial,6mm	1
7-011-07	Trial,7mm	1
7-011-08	Trial,8mm	1
7-011-09	Trial,9mm	1
7-011-10	Trial,10mm	1
7-011-11	Trial,11mm	1
7-011-12	Impactor,Round	1
7-011-13	Impactor,Flat	1
7-011-14	Sleeve With Handle	1
7-011-15	Sleeve	1
7-011-16	Drill Bit With Stop,12mm	2
7-011-17	Drill Bit With Stop,14mm	2
7-011-18	Drill Bit With Stop,16mm	2
7-011-19	Locking Device	1
7-011-20	Screwdriver Star,T8	2
7-011-21	Curved Awl	1
7-011-22	Straight Awl	1
7-011-23	Handle With Quick Coupling	2
7-011-24	Insert For Distractor Pin	1
7-011-25	Implant Support	1
7-011-26	Forceps For Screw	1
7-011-27	Forceps	1
7-011-28	Guide For Cage	1
7-011-29	Position Rod	1
7-011-30	Cervical Distractor	1
7-011-31	Torque Limited Handle,1.2N.m	1
4-018-01	Container	1