

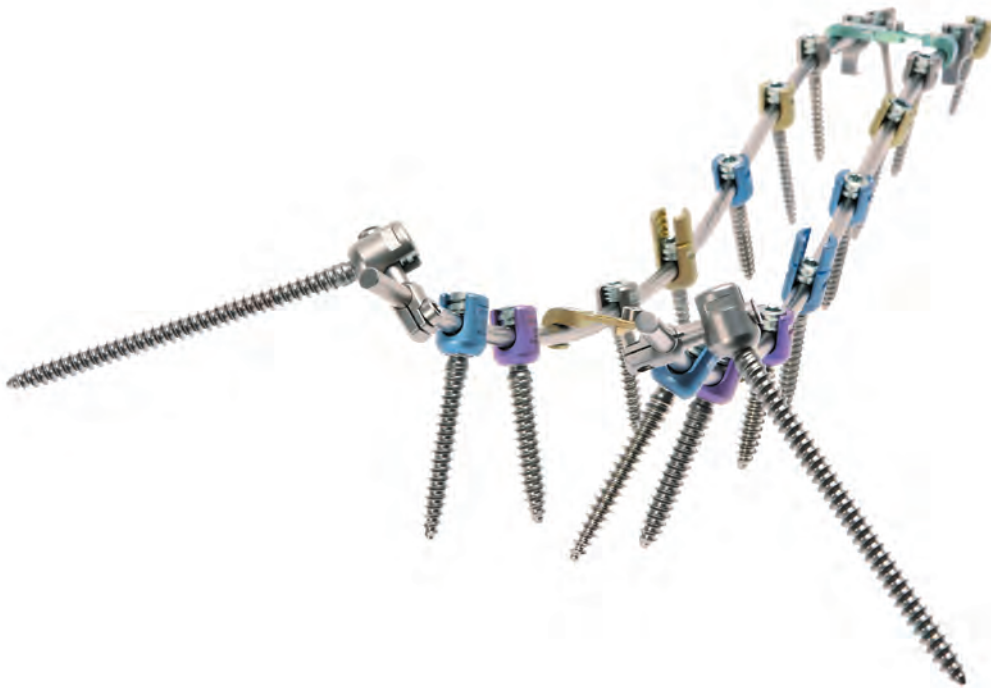
ILIAD™

Spinal Fixation System



Content

ILIAD™ SYSTEM Introduction	3
ILIAD™ SYSTEM Competitive Advantage	4
ILIAD™ SYSTEM Overview	5
ILIAD™ SYSTEM Instrument List	6
ILIAD™ SYSTEM Product List	8



Introduction

ILIAD™ Spinal Fixation System provides simple and comprehensive stabilization solutions for spinal fixation. The Patented Reverse **DOVETAIL** Locking System with **LINEAR SLOT** is a foundation of the ILIAD™ system. This unique thread design practically eliminates cross threading, prevents splaying of the screw head and increase the holding moment up to 30Nm.

- Outside Head Diameter : 13.80mm
- Reverse Dove Tail Thread
- Linear Slot in the middle of Set Screw
- Top-Loading, Top-Tightening, Self-Tapping Screws
- Oscillation Angle up to 60°
- Anodized Color-coding of Polyaxial Pedicle Screws by Diameter
- Accomodate Both 6.0 and 6.35 Rods.
- Material : Ti6Al-4V ELI per ASTM F136

Indications

ILIAD™ Spinal Fixation System is used for lumbar and lumbosacral degenerative pathologies for which segmental spondylosis is indicated.

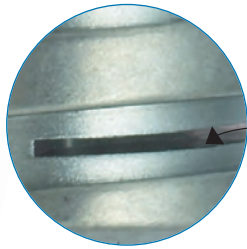
- Degenerative Disc Diseases and Instabilities
- Degenerative Spondylolisthesis
- Isthmic Spondylolisthesis
- Pseudoarthrosis or Failed Spondylosis

Contraindications

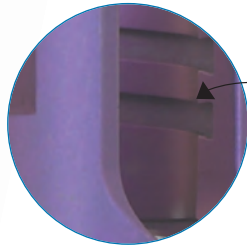
- Severe Osteoporosis
- Unstable Burst Fractures and Compression Fractures
- Destructive Tumors
- Acute Infections
- Extensive Peridural Scarring



ILIAD™ SYSTEM Competitive Advantage



1. Linear Slot Design built into the threads allows for increase holding force during final tightening. The design acts like a vice grip reducing the chance of the set screw back out after final tightening.

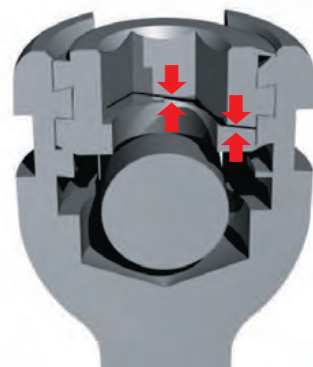


2. Unique Dovetail Thread Design allows easy insertion while reducing the chance of cross threading.

Linear Slot Effect



Provisional tightened set screw



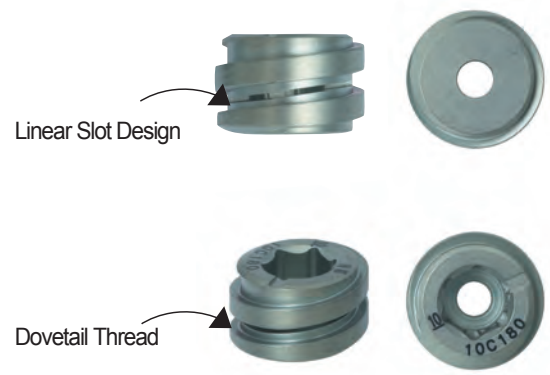
Final tightened set screw with linear slot compressed

ILIAD™ SYSTEM Overview

ILIAD™ Set Screw

Reverse Dovetail Locking System + Linear Slot Effect

- Prevents **Cross Threading** of set screw
- Prevents **Twisting** of the pedicle screw head
- Prevents **Splaying** of pedicle screw head
- Prevents set screw **Back Out** from the screw head



ILIAD™ Pedicle Screws

1. Available Screw Diameter
4.0 / 4.5 / 5.0 / 5.5 / 6.0 / 6.5 / 7.0 / 7.5 / 8.0 / 8.5mm
2. Available Screw Type
Mono - & Poly Axial
Reduction Mono - & Poly Axial
Cannulated Mono - & Poly Axial
3. Oscillation Angle up to 60°
4. Accomodate both 6.0 and 6.35 Rods.



ILIAD™ Rods

1. Titanium Alloy Rods / CoCr Rods Available
2. 6.0mm & 6.35mm Rod Diameter
3. Available in Pre-contoured and Straight Rod Configuration
4. Longest Available Size 500mm



ILIAD™ Cross Links

1. ILIAD™ has 6 different sizes of Cross Links.
2. Available Cross Link Size
41 / 46 / 51 / 56 / 61 / 66mm
3. Cross Links are designed to accomodate either 6.0mm or 6.35mm rods in order to stabilize a spinal construct.
4. One step tightening with a single instrument.

