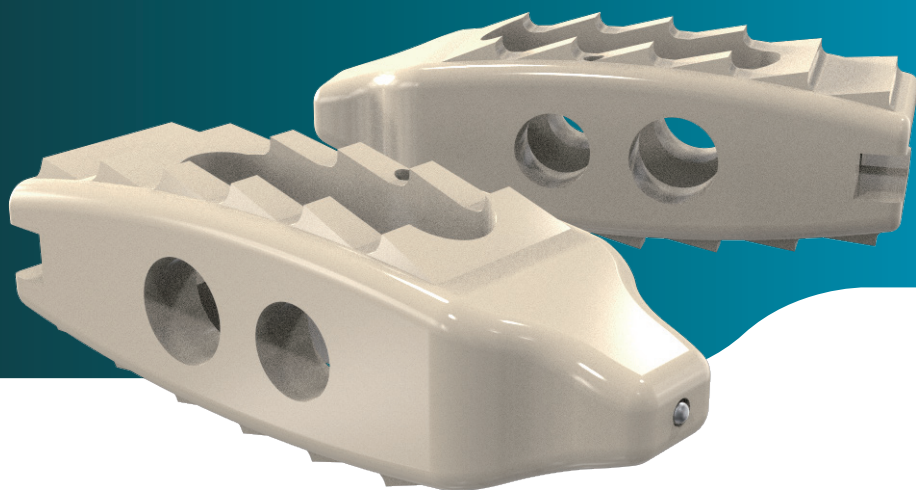


G-Cage

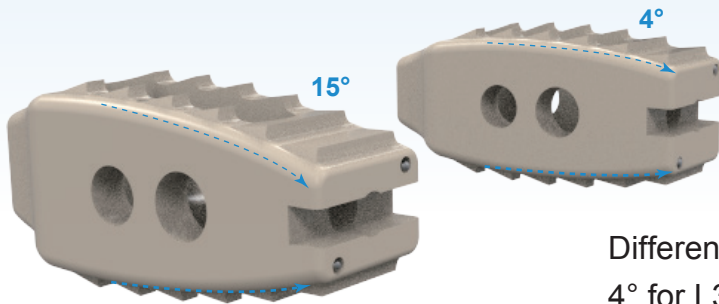


TREND® Intervertebral Spacer System
G-Type Intervertebral Spacer

BIOMECH 
Paonan Biotech Co., Ltd.



G-CAGE

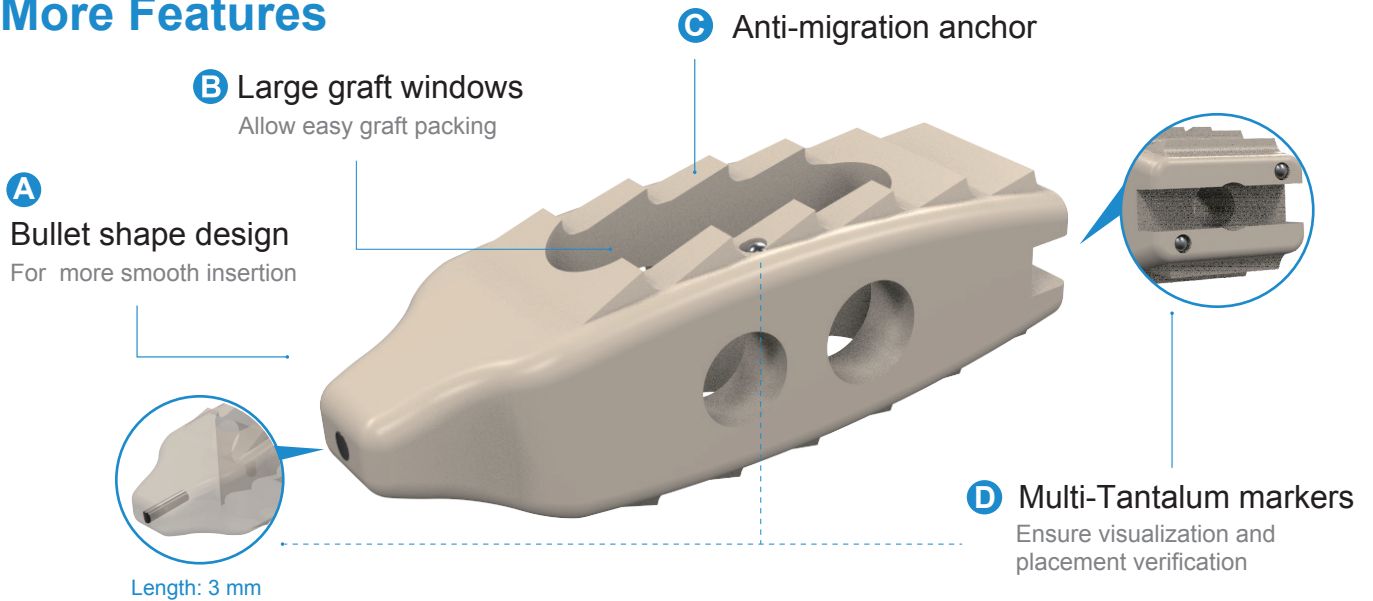


Variety Lordosis Angles

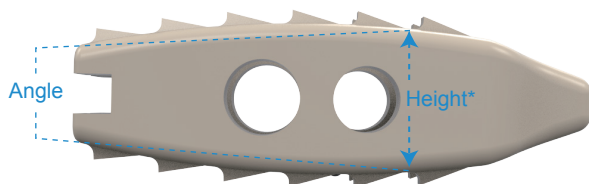
There are variety lordosis angles for spinal alignment and sagittal balance.

Different Lordosis angles for optimum reconstruction.
4° for L3-L4; 8° for L4-L5; 12° or 15° for L5-S1

More Features



Specification



*Upper and lower teeth are not included in height measurement.
Total Teeth height is 1.5 mm.

REF	Height (mm)	Angle (°)	REF	Height (mm)	Angle (°)
2700-4008	8	4	2700-8012	12	8
2700-4009	9	4	2700-8013	13	8
2700-4010	10	4	2700-1210	10	12
2700-4011	11	4	2700-1211	11	12
2700-4012	12	4	2700-1212	12	12
2700-4013	13	4	2700-1213	13	12
2700-8009	9	8	2700-1511	11	15
2700-8010	10	8	2700-1512	12	15
2700-8011	11	8	2700-1513	13	15